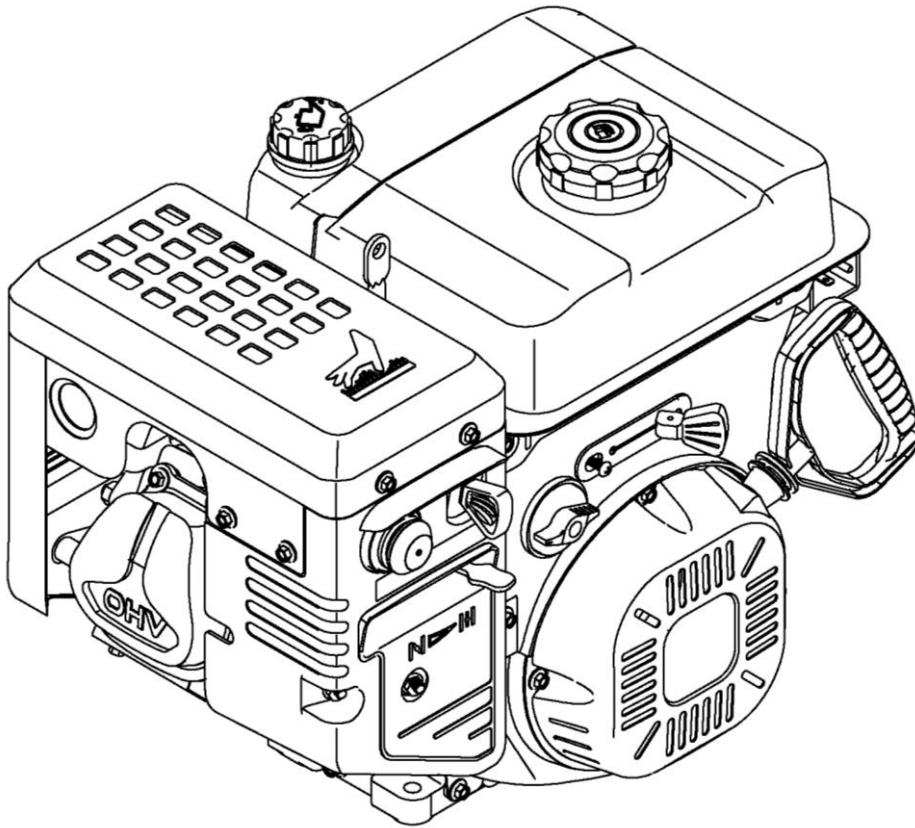


SERVICE MANUAL

LC185FDS-LC190FDS

(Snow engine)



Preface

PREFACE

This manual covers construction, function and servicing procedures of the 185FDS、190FDS snow engine. Careful observance of the instruction given herein will result in better, safer service work.

Due to product improving, we can change specification per Loncin request; Without prior to notice.

ALL INFORMATION, ILLUSTRATIONS, DIRECTIONS AND SPECIFICATION INCLUDED IN THIS PUBLICATION ARE BASED ON THE LATEST PRODUCT INFORMATION AVAILABLE AT THE TIME OF APPROVAL FOR PRINTING. LONCIN MOTOR CO., LTD GENERAL PURPOSE ENGINE DIVISION RESERVES THE RIGHT TO MAKE CHANGES AT ANY TIME WITHOUT IN CURRING ANY OBLIGATION WHATEVER. NO PART OF THIS PUBLICATION MAY BE REPRODUCED WITHLOUT WRITTEN PERMISSION.

CONTENTS

Safety and General Information	1
Specification	2
Maintenance	3
Disassembly and service	4

Section 1 Safety and General Information

1.1 General safety -----	1-2
1.2 Service rules -----	1-3
1.3 Serial number location -----	1-4
1.4 Oil Recommendations-----	1-5
1.5 Torque values AND Other Detail Specs -----	1-6
1.6 Maintenance standards -----	1-7
1.7 Troubleshooting -----	1-9
1.8 Special tool -----	1-12

Section 1

Safety and General Information

Safety Precautions

To ensure safe operation please read the following statements and understand their meaning. Also refer to your equipment manufacturer's manual for other important safety information. This manual contains safety precautions which are explained below. Please read carefully.

1.1 General safety

Pay attention to these symbols and their meaning:



WARNING: Warning is used to indicate the presence of a hazard that *can* cause *severe* personal injury, death or substantial property damage if the warning is ignored.

CAUTION: Caution is used to indicate the presence of a hazard that *will* or *can* cause *minor* personal injury or property damage if the caution is ignored.



WARNING

- Stop the engine before servicing, first stop the engine, and remove the spark plug.
- When the engine is running, make sure the area is well ventilated. Never run the engine in an enclosed area. The exhaust contains poisonous carbon monoxide gas.
- Don't smoke or fire on operation site due to gasoline extremely flammable and explosive under certain conditions.
- Don't close to revolved or overheat parts or high voltage lead when running.
- Don't maintain until the engine is cooled. Otherwise, burn can happen in the hot state of engine.

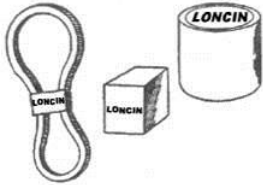
NOTE

Note is used to notify people of installation, operation, or maintenance information that is important but not hazard-related.

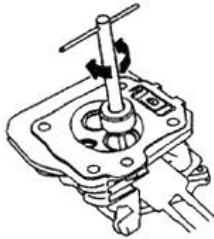
Section 1 Safety and General Information

1.2 Service rules

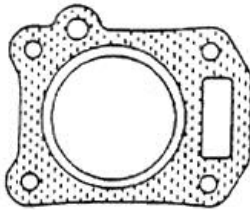
1. Use genuine LONCIN or LONCIN-recommended parts and lubrication oil. Parts that don't meet design specifications may damage the device or engine.



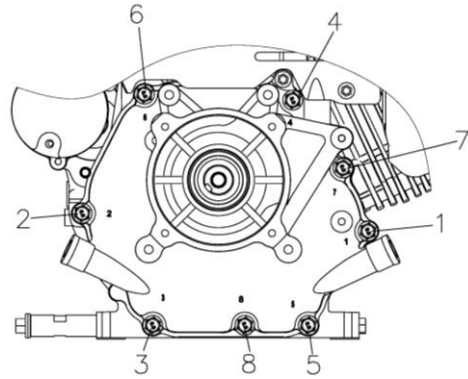
2. Use the special tools designed for this unit.



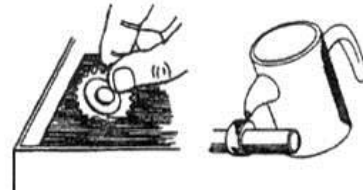
3. Install new paper gaskets, O-ring when reassembling.



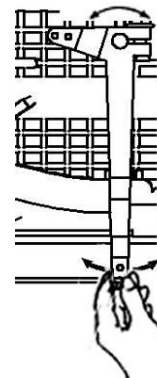
4. When screwing bolts or nuts, begin with larger-diameter inner bolt first, and tighten to the specified torque diagonally unless a particular sequence is specified.



5. Clean parts in cleaning solvent upon disassembly. Lubricate any sliding surfaces before reassembly.



6. After reassembly, check all parts for proper installation and operation.



Follow the instructions represented by these symbols when maintaining:



: Used oil



: Used special tool

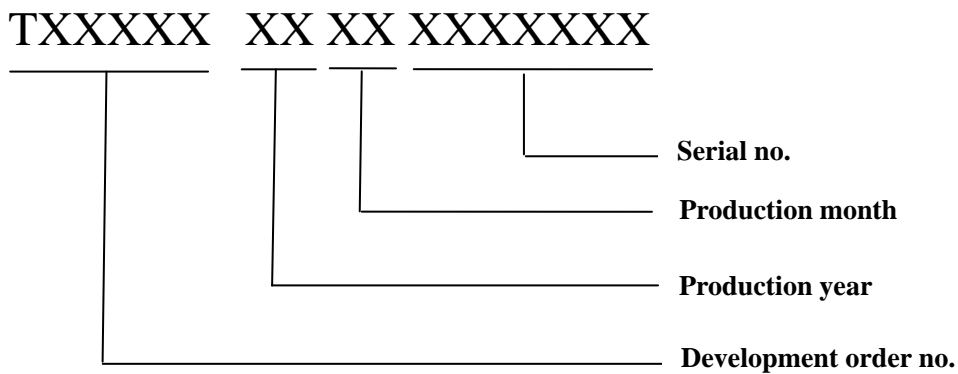
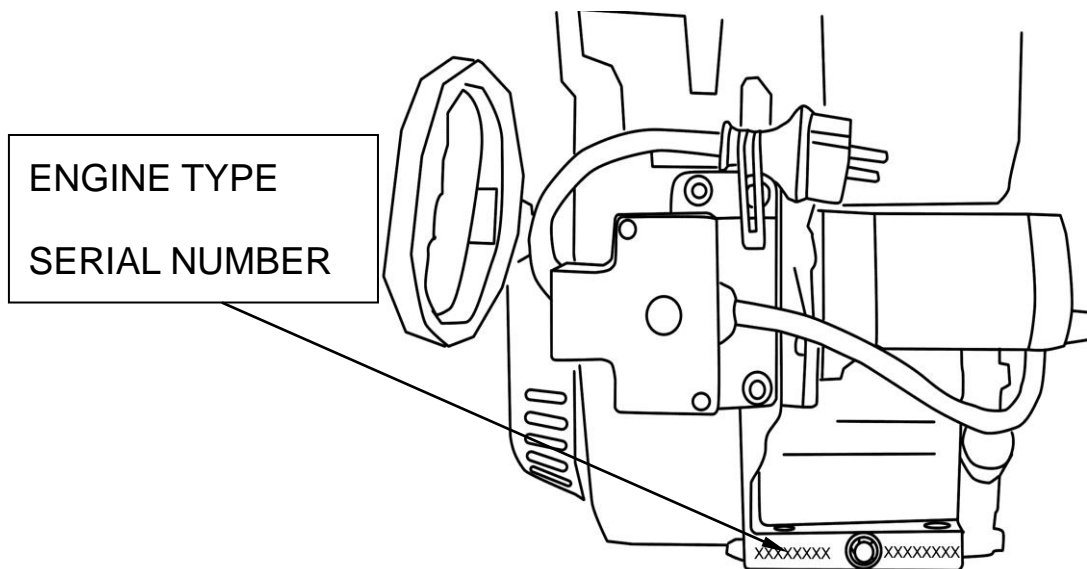


: Used grease

○×○(○): Indicates flange bolt model, length and quantity.

1.3 Serial number location

The serial number is stamped on the crankcase, as shown on the following drawing when inquiring about engine or ordering parts in order to get correct parts for the unit being serviced by LONCIN MOTOR CO., Ltd's dealer



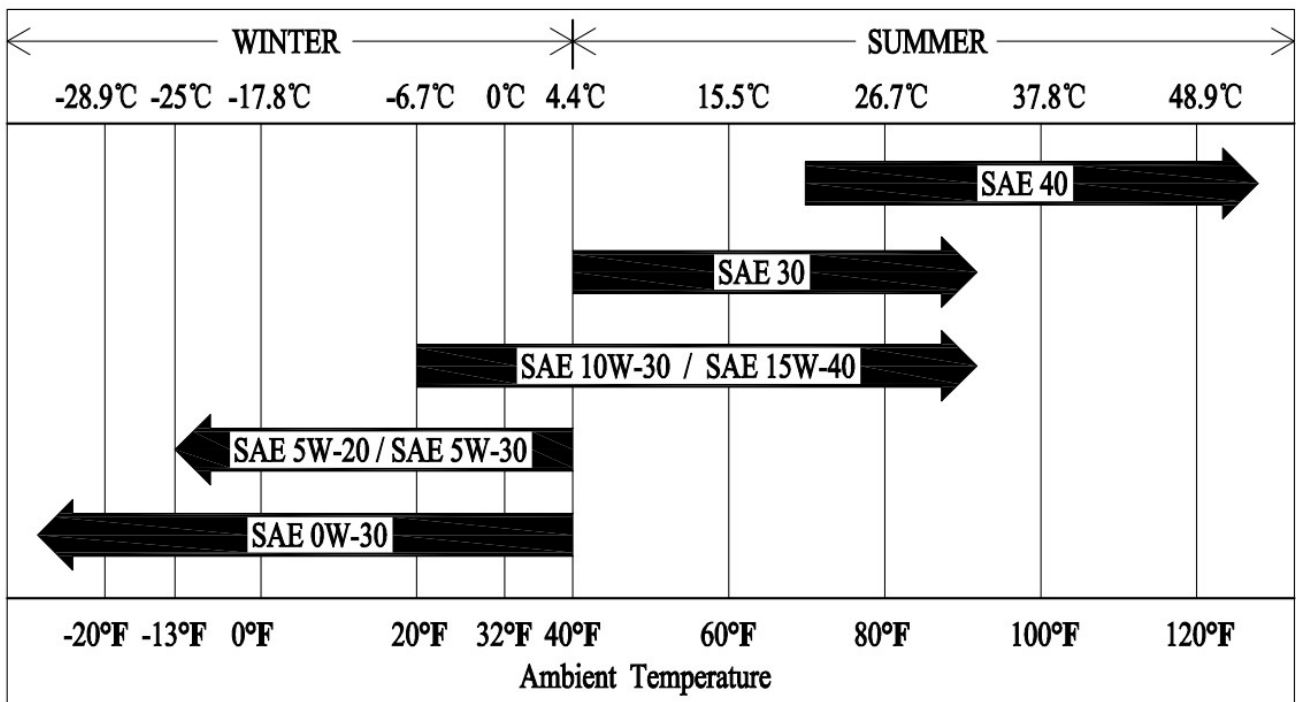
Section 1 Safety and General Information

1.4 Oil Recommendations

Using the proper type and weight of oil in the engine is extremely important, as is daily checking of oil level oil, or using dirty oil, will cause premature engine wear and failure.

Oil Type

When the ambient temperature is under -25°C , SAE 0W-30/40 is recommended for general use; when the ambient temperature is above -25°C but under 4.4°C , SAE 5W-30 or 0W-30/40 is recommended for general use. The SA oil viscosity and service classification are in the API label on the oil container. We recommend that you use API SERVICE Category SF or higher class oil.



Section 1 Safety and General Information

1.5 Torque values AND Other Detail Specs

Note: For ALL bolts and nuts listed above, refer to the table of standard torque values.

Item	Screw Thread	Torque (N • m)
Cylinder head bolt	M10×80	45-50
Connecting rod bolt	M8×38	17-19
Flywheel nut	M16×1.5 (special nut)	90-115
Valve lock nut	M6×0.5 (special nut)	12-16
Valve adjusting bolt	M8	27-30
Crankcase cover bolt	M8×40	27-30
Exhaust stud	M8×54	27-30
Exhaust tube connecting nut	M8	27-30
Air cleaner nut	M6	8-12
Oil drain bolt	M12×1.5×15	25-30
Oil drain bolt	M10×1.25×15	20-24
Oil drain tube	M12×1.5	25-30
Fuel switch knob screw	M4×18	1.5-2.5
Switch box screw	M4×55	1.1-1.7
Valve cover bolt	M6×14	8-12
Start motor mounting bolt	M8×40	27-30
Spark plug	F7RTC	27-30
Fuel drain screw	M8	7-10
Standard torque value	M5 bolt , nut	4-7
	M6 bolt , nut	8-12
	M8 bolt , nut	20-28
	M10 bolt , nut	35-40
	M12 bolt , nut	50-60

Section 1 Safety and General Information

1.6 Maintenance standards

Unspecified unit: mm.

LC185FDS

Part	Item	Standard	Service Limit
		LC185FDS	LC185FDS
cylinder	Sleeve(inside diameter)	85.015-85.025	85.17
piston	skirt outside diameter	84.970-84.980	84.65
	Clearance to cylinder	0.015-0.052	0.12
	Piston pin bore inside diameter	18.002-18.008	18.042
	piston – pin clearance	0.002-0.014	0.08
piston pin	Outside diameter	17.992-17.998	17.95
piston ring	side gap	0.015-0.045	0.15
	close gap (top, the second ring)	0.2-0.4	1.0
	close gap (oil ring)	0.2-0.7	1.0
	width (top, the second ring)	1.97-1.99	1.75
connecting rod	small end inside diameter	18.006-18.017	18.07
	big end inside diameter	33.02-33.03	33.07
	big end oil clearance	0.04-0.066	0.12
	big end side clearance	0.1-0.7	1.0
crankshaft	neck diameter	32.966-32.981	32.92
valve	Clearance(cold) (intake)	0.10-0.15	—
	Clearance(cold) (exhaust)	0.15-0.20	—
	Stem diameter (intake)	6.565-6.580	6.44
	Stem diameter (exhaust)	6.545-6.560	6.40
Valve guide	Inside diameter (intake, exhaust)	6.60-6.615	6.66
	Stem to guide clearance (intake)	0.01-0.037	0.10
	Stem to guide clearance (exhaust)	0.05-0.077	0.12
Valve seat	Seat width	0.8-1.0	2.0
Valve spring	free length	39	37.5
Cam shaft	height (intake)	31.636-31.754	31.35
	height (exhaust)	31.674 -31.834	31.35
	Outside diameter (bearing)	15.966-15.984	15.92
crankcase cover	Camshaft hole diameter	16.0-16.018	16.05
spark plug	gap	0.7-0.8	—
igniter coils	resistance (primary)	0.8-1.1Ω	—
	resistance (secondary)	5.9-7.1Ω	—
	gap to flywheel	0.4±0.05	—

Section 1 Safety and General Information

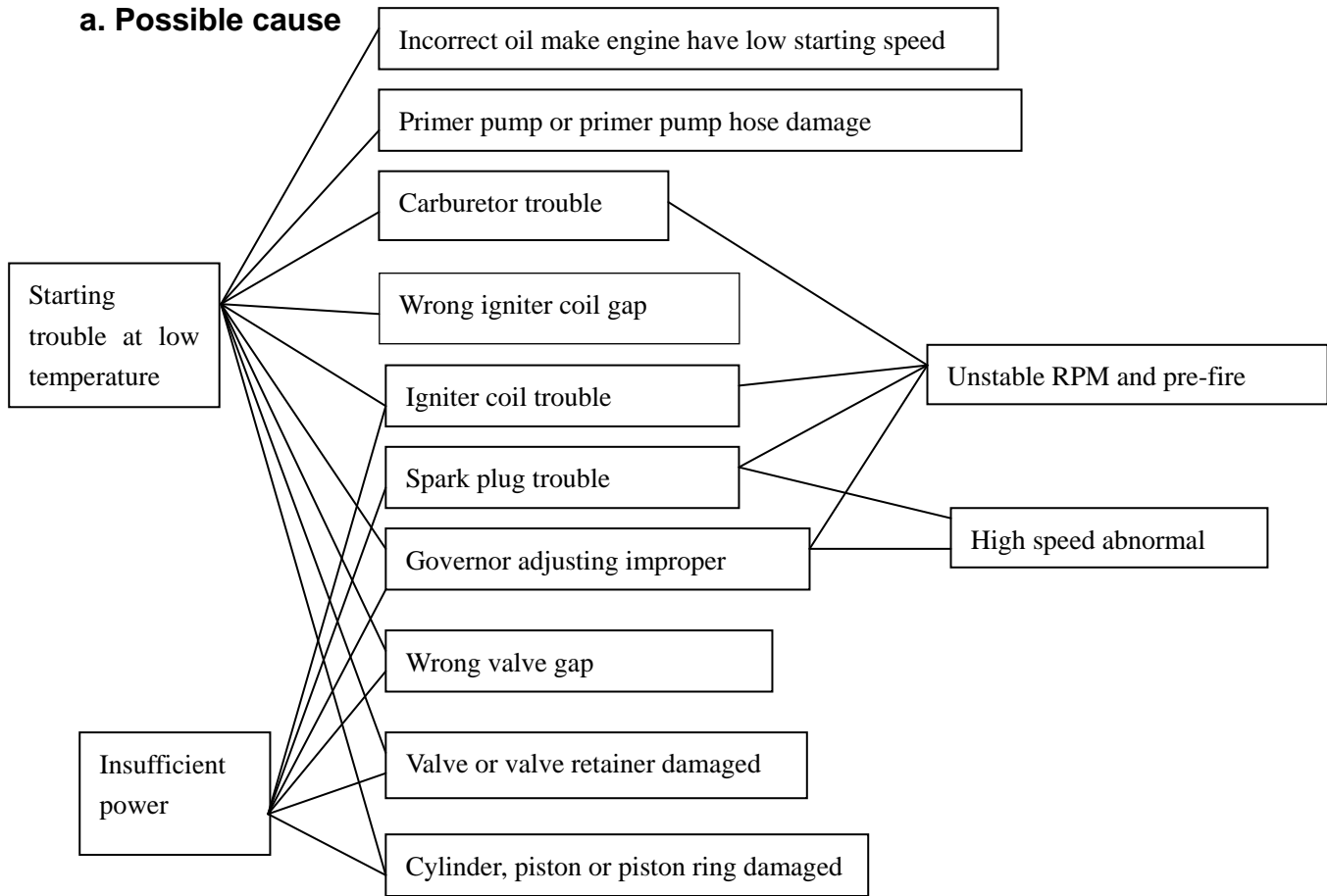
LC190FDS

Part	Item	Standard	Service Limit
		LC190FDS	LC190FDS
cylinder	Sleeve(inside diameter)	90.015-90.025	90.17
piston	skirt outside diameter	89.970-89.980	89.85
	Clearance to cylinder	0.015-0.052	0.12
	Piston pin bore inside diameter	18.002-18.008	18.042
	piston – pin clearance	0.002-0.014	0.08
piston pin	Outside diameter	17.992-17.998	17.95
piston ring	side gap	0.015-0.045	0.15
	close gap (top ring)	0.2-0.35	1.0
	close gap (the second ring)	0.25~0.4	1.0
	close gap (oil ring)	0.1-0.5	1.0
	width (top, the second ring)	1.97-1.99	1.75
connecting rod	small end inside diameter	17.992-17.998	18.07
	big end inside diameter	33.02-33.03	33.07
	big end side clearance	0.1-0.7	1.0
crankshaft	neck diameter	32.966-32.981	32.92
valve	Clearance(cold) (intake)	0.10-0.15	—
	Clearance(cold) (exhaust)	0.15-0.20	—
	Stem diameter (intake)	6.565-6.580	6.44
	Stem diameter (exhaust)	6.545-6.560	6.40
Valve guide	Inside diameter (intake, exhaust)	6.60-6.615	6.66
	Stem to guide clearance (intake)	0.01-0.037	0.10
	Stem to guide clearance exhaust)	0.05-0.077	0.12
Valve seat	Seat width	0.8-1.0	2.0
Valve spring	free length	39	37.5
Cam shaft	height (intake)	31.953 -32.113	31.60
	height (exhaust)	31.660-31.82	31.30
	Outside diameter (bearing)	15.966-15.984	15.92
crankcase cover	Camshaft hole diameter	16.0-16.018	16.05
spark plug	gap	0.7-0.8	—
igniter coils	resistance (primary)	0.8-1.1Ω	—
	resistance (secondary)	5.9-7.1Ω	—
	gap to flywheel	0.4±0.05	—

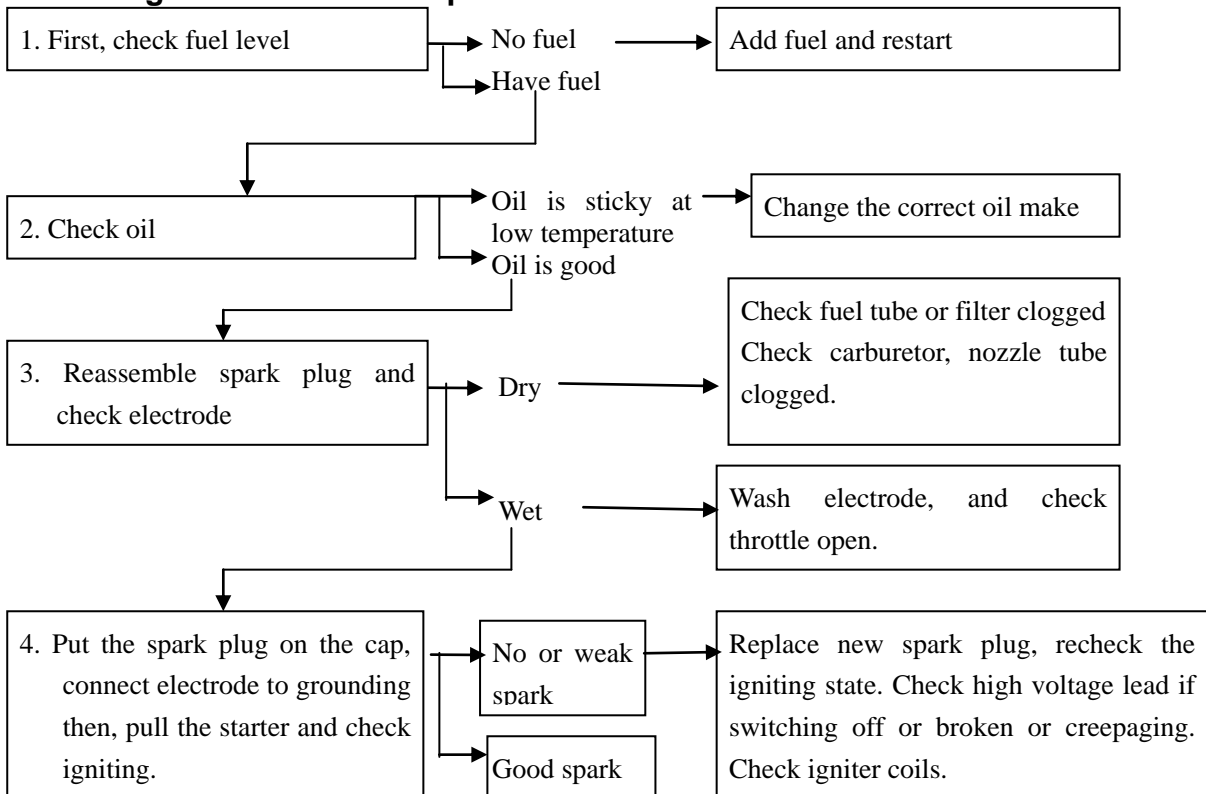
Section 1 Safety and General Information

1.7 Troubleshooting

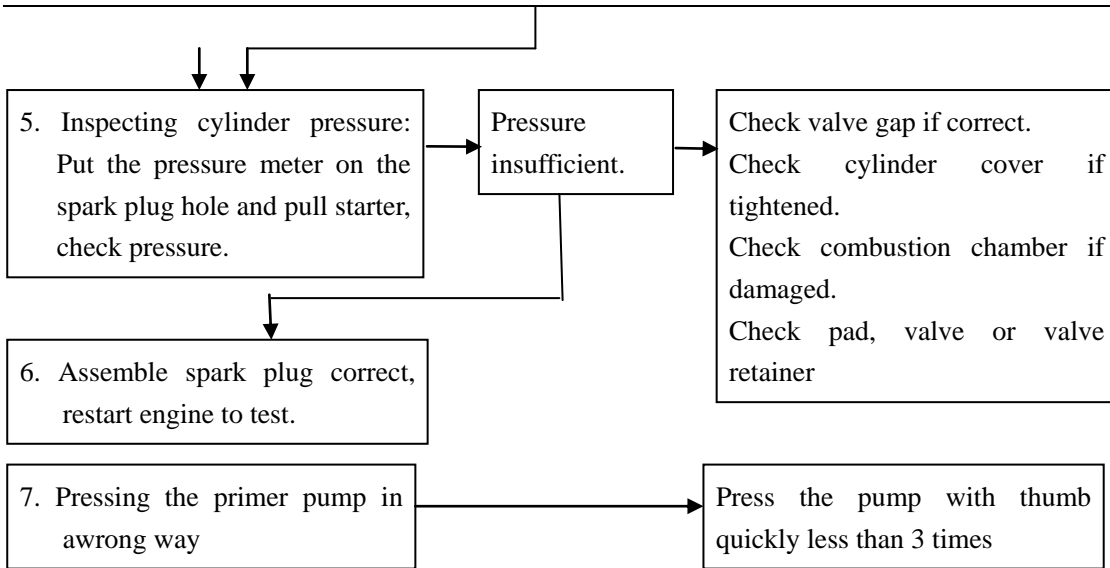
a. Possible cause



b. Starting trouble at low temperature



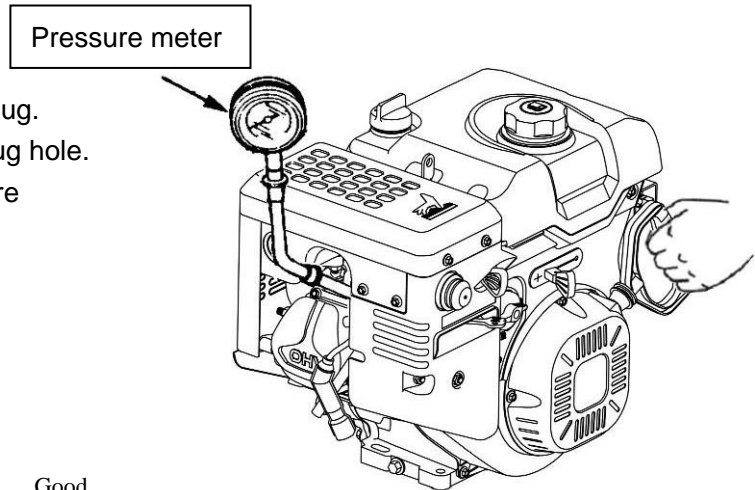
Section 1 Safety and General Information



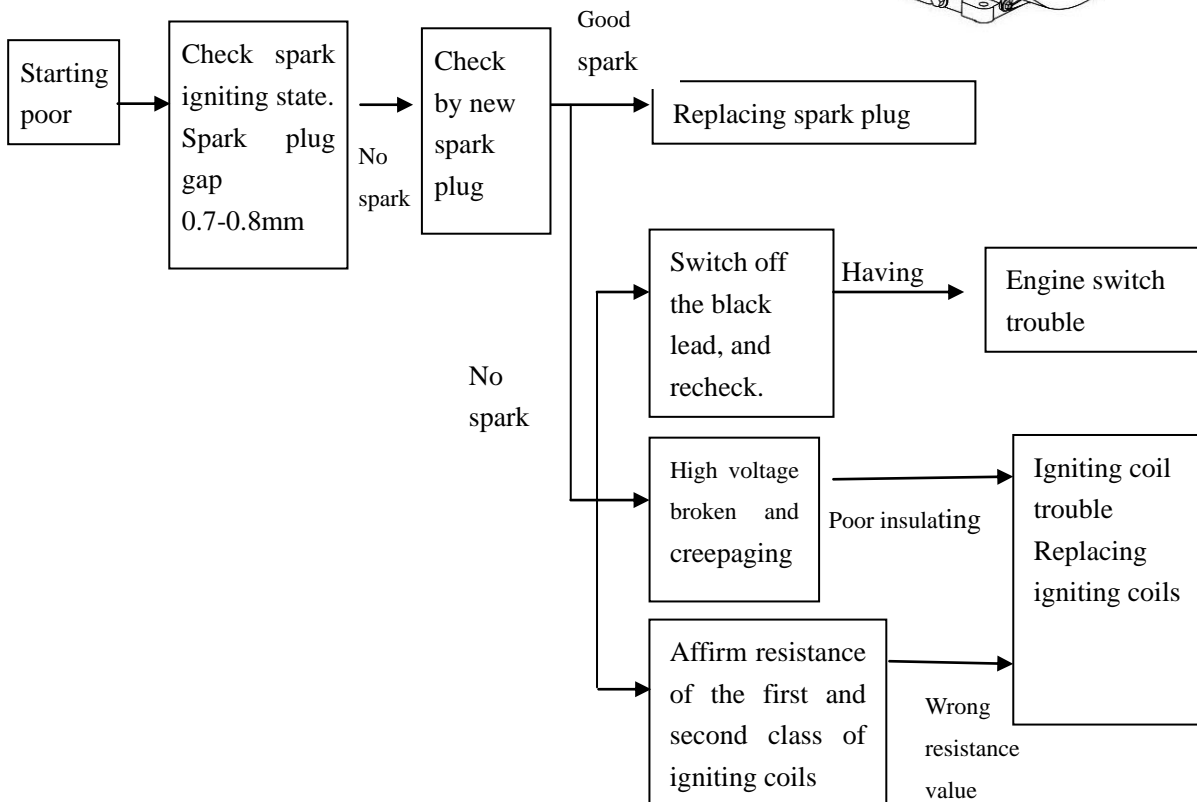
※Check cylinder pressure

- 1) Disassemble spark plug cap and spark plug.
- 2) Assemble pressure meter in the spark plug hole.
- 3) Pull recoil starter several times to measure cylinder pressure

Cylinder pressure	At 800rpm, 6.0-8.5 Kgf/cm ²
-------------------	---



c. Starting poor



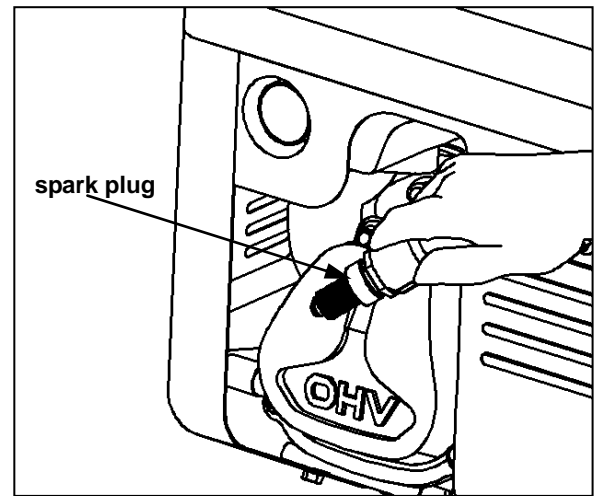
Section 1 Safety and General Information

Checking spark

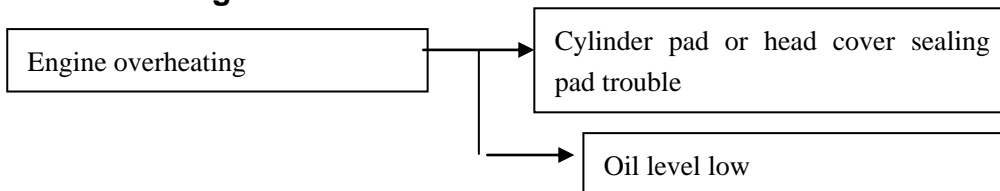
- 1) Remove spark plug
- 2) Put the spark plug on the spark cap
- 3) Connect (–) electrode of the spark plug (thread) to grounding, pull starter to check if there is spark at the electrode joint.

⚠ 警告 WARNING

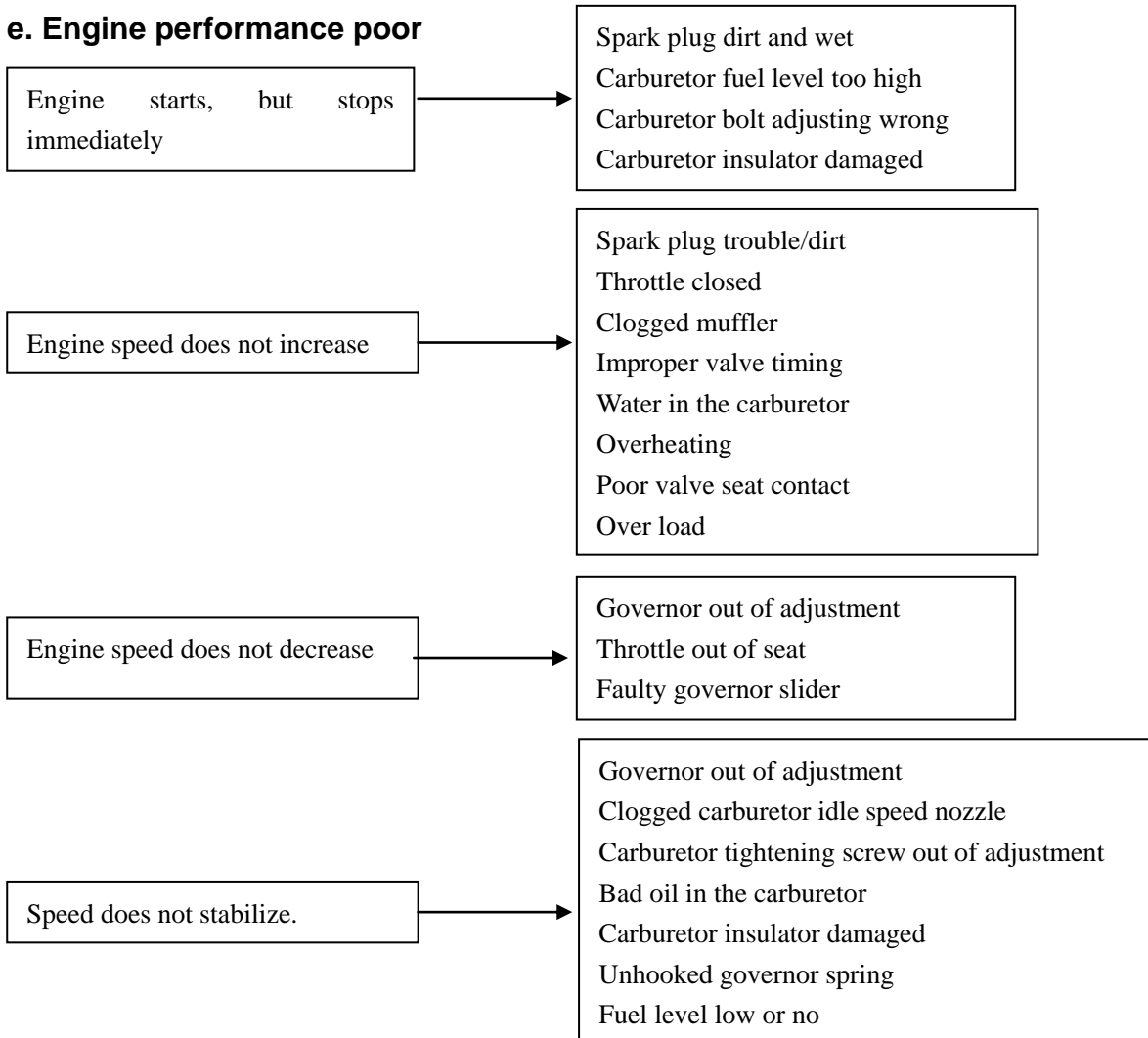
Don't grab spark terminal by wet hand when testing.
 If touching the high voltage line by wet hand, pulling starter can produce high voltage electric, being danger.
 Please put on insulating gloves when touching spark plug cap by hand,
 Sprinkled fuel can cause fire around the spark plug.
 First, clean the fuel, then check. When checking, keep far away from the spark plug hole.



d. Overheating

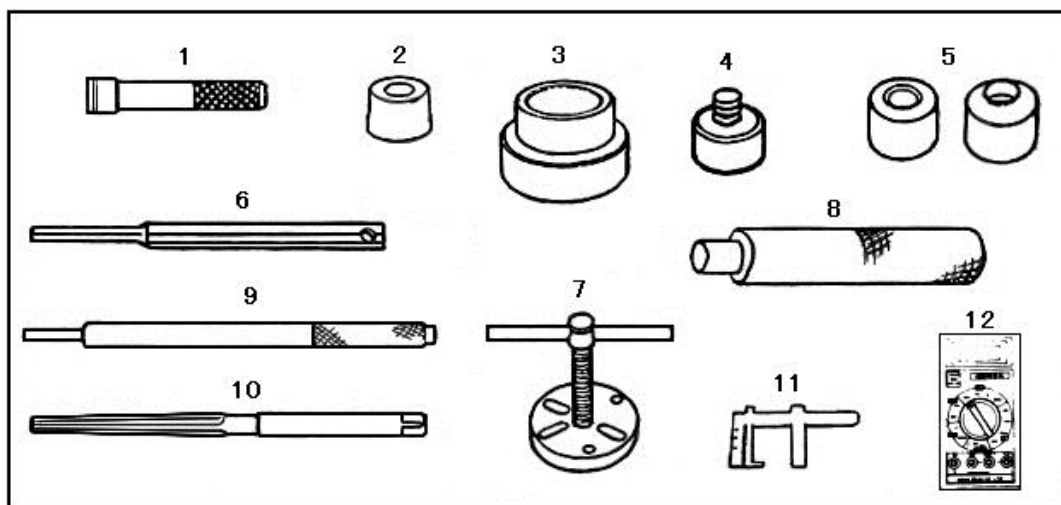


e. Engine performance poor



Section 1 Safety and General Information

1.8 Special tool



Ser.	Description	Note
1	Driver lever, 40 mm	6、7、8 lever
2	42×47 mm outside retainer	6204 bearing assembly
	52×55 mm outside retainer driver	6205、62/22 bearing assembly
3	30 mm inside retainer driver	timing gear
	35 mm inside retainer driver	governor driving gear assembly
4	22 mm assistant driver	62/22 bearing assembly
	20 mm assistant driver	6204 bearing assembly
	25 mm assistant driver	6205 bearing assembly
	30 mm assistant driver	6206 bearing assembly
5	Diamond grinder 45° φ 24.5	grinding exhaust valve seat face
	Diamond grinder 45° φ 27.5	grinding intake valve seat face
	Diamond grinder 32° φ 25	grinding exhaust valve seat face
	Diamond grinder 32° φ 28	grinding intake, valve seat face
	Diamond grinder 60° φ 30	grinding intake, exhaust valve seat face
6	Grinder lever	Grinding valve seat face
7	Flywheel dismounter	Dismounting flywheel
8	Driver lever	2、3、4 lever
9	Valve guide dismounter	Dismounting and assembling guide
10	Valve guide reamer	Guide precision reaming
11	Float height gauge	Carburetor oil height
12	Digit multimeter	Electric testing

Section 2 Specifications

2.1	Parameter -----	2-2
2.2	Dimensional drawings -----	2-4
2.3	P.T.O Dimensional drawings -----	2-5

Section 2 Specifications

2.1 Parameter

SNOW ENGINE SPECIFICATION		
MODEL	LC185FDS	LC190FDS
ENGINE TYPE	OHV SINGLE CYLINDER, FOUR STROKE, FORCED AIR COOLING	
DISPLACEMENT(cc)	375	420
Bore×Stroke(mm)	85×66	90×66
COMPRESSION RATIO	8.0: 1	8.3: 1
MAX.POWER (Kw/rpm)	7.8/3600	9.0/3600
MAX.TORQUE (N.m/rpm)	23.2/2500	26.5/2500
No Load Speed	3300±150rpm	
OIL CAPACITY(L)	1.0	
FUEL CAPACITY (L)	5.5	
FUEL CONSUMPTION (g/Kw.h)	≤374	
Idle speed(rpm)	2000±200 rpm	
Speed Fluctuating Ratio	≤10%	
Noise(≤)	70db(A)	
Rotation	Anti-clockwise(from P.T.O. side)	
FUEL TYPE	Unleaded gasoline, minimum 90 RON, 10% ethanol gasoline	
IGNITION SYSTEM	T.C.I TRANSISTORIZED MAGNETO	
LUBRICATION SYSTEM	SPLASH	
STARTING SYSTEM	RECOIL/ELECTRIC START	
DRY WEIGHT(Kg)	36	36
SPECIFICATIONS		
GOVERNOR	MECHANICAL. SET AT NO LOAD 3300±150RPM	
	MANUAL THROTTLE CONTROL	
VALVES	OHV INTAKE: MARTENSITE STEEL 4Cr9Si2 GB/T1221	
	OHV EXHAUST: AUSTENITIC STEEL 4Cr10Si2Mo GB/T1221	
VALVE SEAT	OHV INTAKE: IRON ALLOY INSERT	
	OHV EXHAUST: IRON ALLOY INSERT	
CRANKSHAFT	ALLOY STEEL 40Cr	
	EXTENSION: PER CUSTOMER REQUIREMENTS	
CYLINDER	ALUMINUM W/CAST IRON BORE ADC12, P-V Casting Iron	

Section 2 Specifications

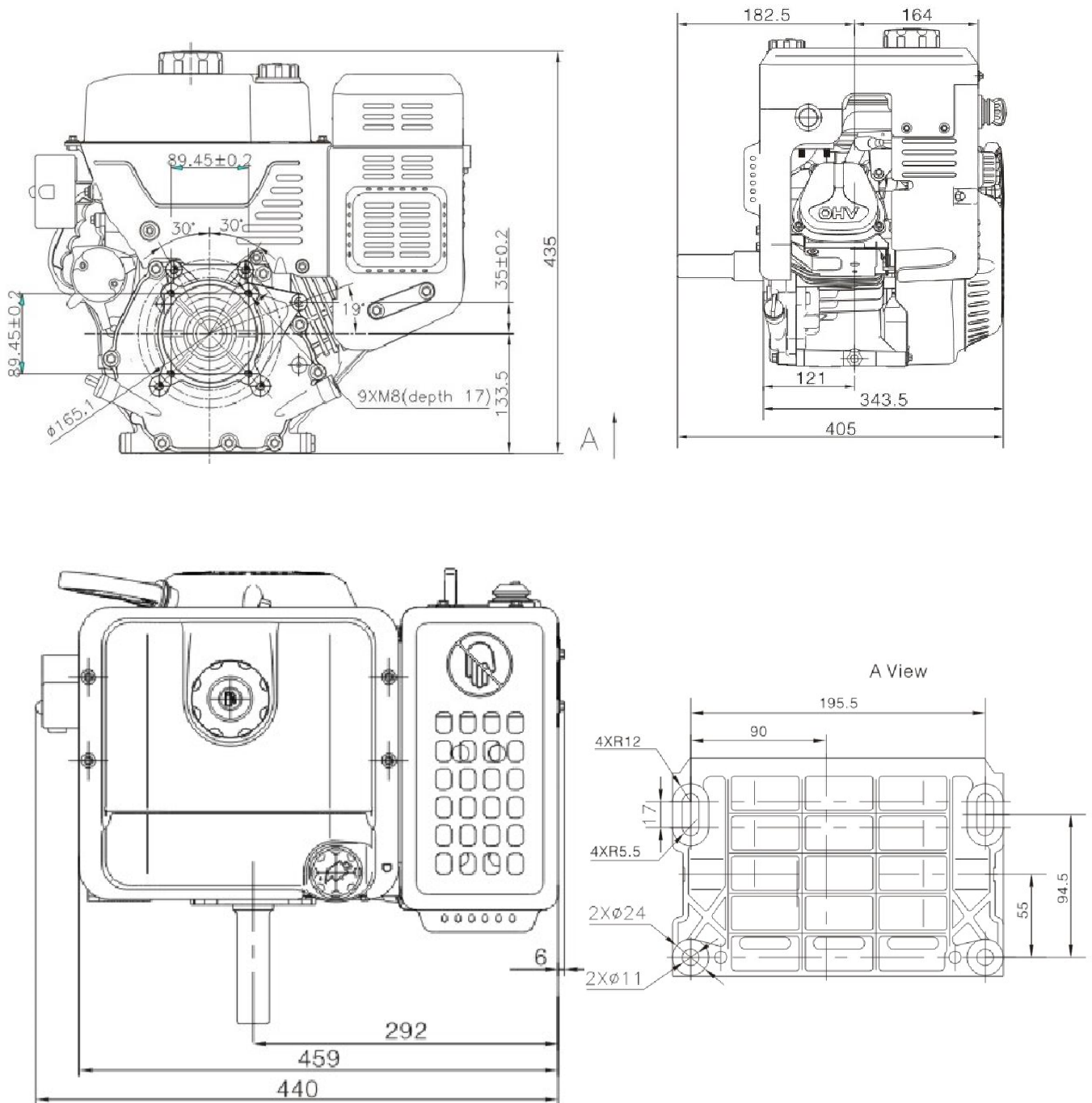
continue

SPECIFICATIONS		
MODEL	LC185FDS	LC190FDS
CONNECTING ROD	ALUMINUM Alloy	
MAIN BEARINGS	BALL BEARING 6206	
CHOKE	MANUAL CLICK-CLICK	
SPARK PLUG	NHSP LD F7RTC(RERESISTOR TYPE) / Champion RN9YC / NGK BPR6ES	
CARBURETOR	FLOAT W/CHOKE AND PNEUMATIC PRIMER	
PISTON RINGS	1,COMPRESSION	
	2,COMPRESSION	
	3,OIL CONTROL	
STARTER	120V/230V ELECTRIC STARTER AND CONTROL BOX, Snow type with "cup" with Black Handle, RECOIL AT 2'O'CLOCK POSITION	
FUEL FILTER	120 MESH Holes 100~125 micron Diameter	
BREATHER	PEN, 90 DEGREE DOWN, Formed Rubber Tube	
FUEL TANK	METAL FUEL TANK	
FUEL LINE	EPA/CARB	
FLYWHEEL	ALLOY STEEL H.T.	
OIL SEAL	NJK	
AIR CLEANER	WITHOUT FILTER	
MUFFLER	STANDARD WITH GUARD	
ENGINE KILL SWITCH	KEY TYPE	

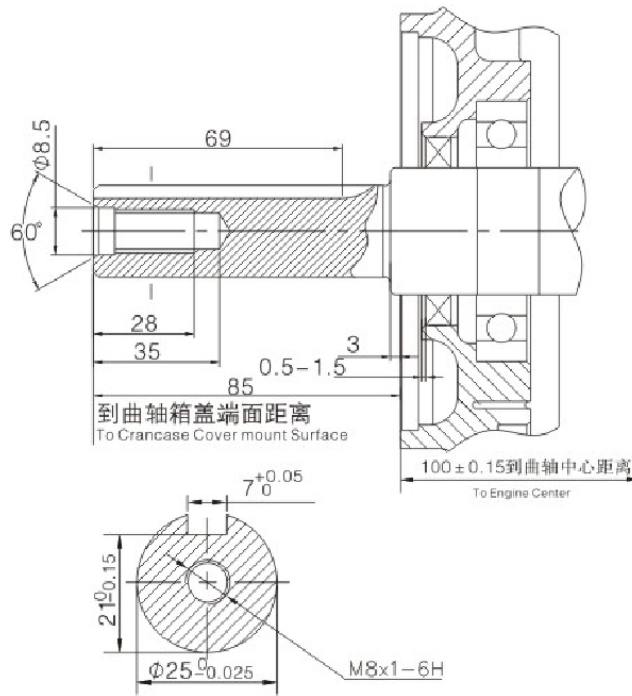
Section 2 Specifications

2.2 Dimensional drawings

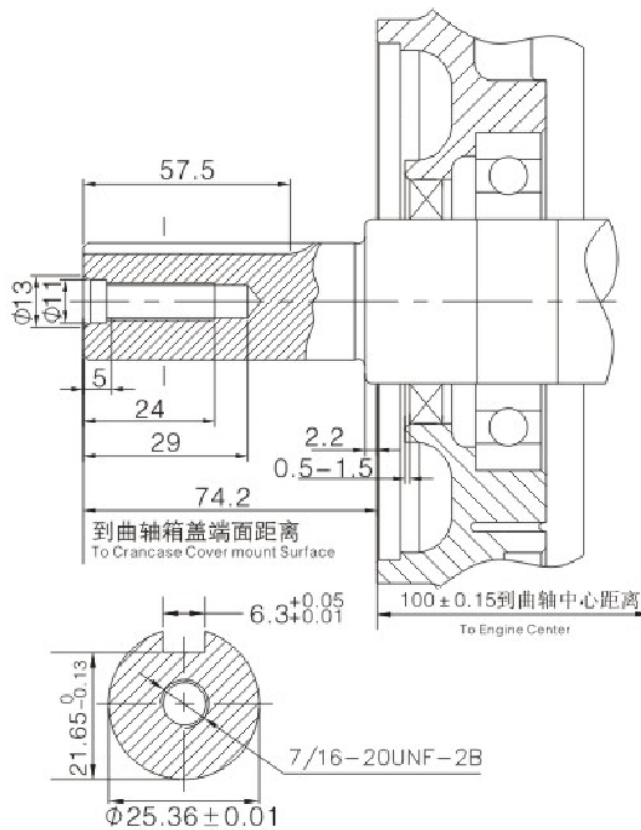
LC185FDS\LC190FDS



2.3 P.T.O Dimensional drawings



A5轴 / Type A5



A13轴 / Type A13

Section 3 Maintenance

3.1 Maintenance schedule-----	3-2
3.2 Engine oil -----	3-2
3.3 Spark plug -----	3-3
3.4 Valve clearance -----	3-4
3.5 Carburetor -----	3-4
3.6 Governor -----	3-5
3.7 Fuel filter -----	3-6

Section 3 Maintenance

3.1 Maintenance schedule

REGULAR SERVICE PERIOD		ITEM	Each use	First month or 20 Hrs.	Every 3 months or 50 Hrs.	Every 6 months or 100 Hrs.	Every year or 150Hrs.	
Performed at every indicated month or operating hour interval, whichever comes first.								
•	Engine oil	Check level	○					
		Change		○		○		
•	Spark plug	Check-Clean				○		
		Replace					○	
•	Idle speed	Check-Adjust					○(1)	
•	Valve clearance	Check-Adjust					○(1)	
•	Fuel Tank	Clean					○(1)	
•	Fuel Filter	Replace				○(1)		
•	Combustion chamber	Clean	After every 150 Hrs. (1)					
•	Fuel line	Check	Every 2 years (Replace if necessary) (1)					

(1) Service more frequently when used in the dust areas.

3.2 Engine oil

Drain the oil while the engine is warm to assure rapid and complete draining.

- clean the area around the oil filler cap/dipstick and oil drain bolt. Remove the oil filler cap/dipstick.
- drain the engine oil into a suitable container using one of the following methods.

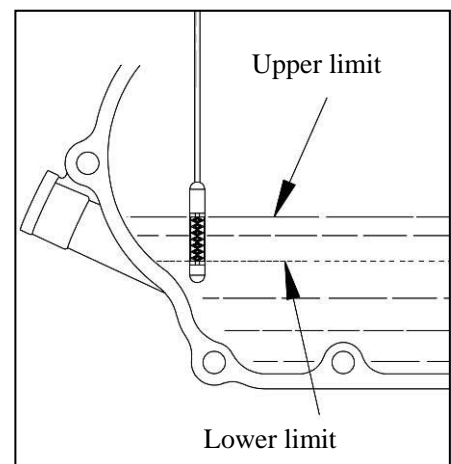
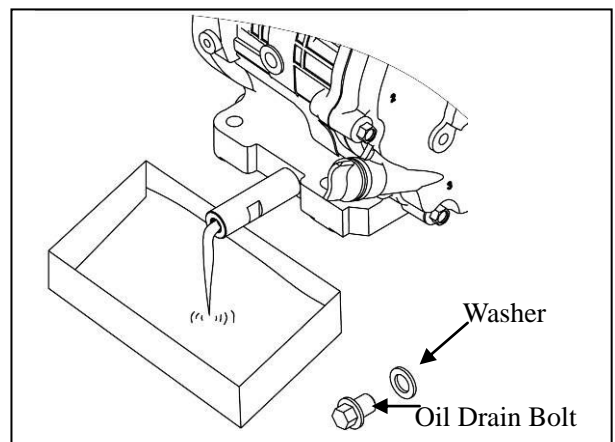
Oil drain bolt method:

- remove the oil drain bolt and sealing washer and allow the oil to drain into a suitable container.
- after draining, install the drain bolt with the sealing washer and tighten it securely.

- Refill the engine with the correct amount of the recommended oil.

Engine oil capacities: **1 L**

- insert the oil filler cap/dipstick without screwing it into the oil filler tube. Remove the oil filler cap/dipstick and check the oil level on it. Bring the level to the upper mark on the dipstick.
- after running the engine, recheck the oil level and adjust if necessary.



Section 3 Maintenance

Wash your hands thoroughly with soap and water as soon as possible after contact with used oil which contains carcinogenic substances. Please dispose of used motor oil and the oil containers in a manner that is compatible with the environment. We suggest you take it in a sealed container to your local recycling center or service station for reclamation. Do not throw it in the trash, or pour it on the ground.



Don't fill oil excessive.

Put the engine level when checking. Contacting engine oil can cause cancer, so you should wash it immediately with soap and water

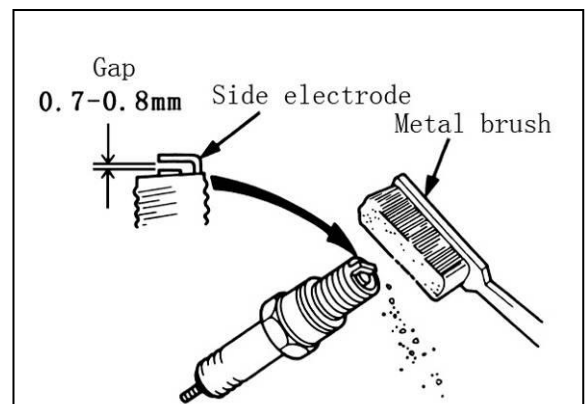
3.3 Spark plug

Recommended types: NHSP LD F7RTC(RESISTOR TYPE) / Champion RN9YC / NGK BPR6ES

NOTICE

Spark plugs of the wrong size or incorrect heat range can cause engine damage.

1. Disconnect the spark plug cap and remove any dirt from around the spark plug area.
2. Remove the spark plug with a spark plug wrench.
3. Inspect the spark plug for excessively worn electrodes, chips or cracks in the insulator, or excessive deposits. Replace the spark plug if you have any doubts about its condition.
4. Measure the electrode gap with a wire gap gauge. Adjust the gap to 0.7-0.8mm by carefully bending the ground electrode.
5. use a spark plug wrench to tighten the plug enough to compress the washer. For a used plug, tighten 1/8 to 1/4 of a turn after the spark plug seats. For a new plug, tighten 1/2 turn after the spark plug seats.



NOTICE

A loose spark plug can become hot enough to damage the engine. Over tightening a spark plug can damage the threads in the engine.

6. install the spark plug cap on the plug.

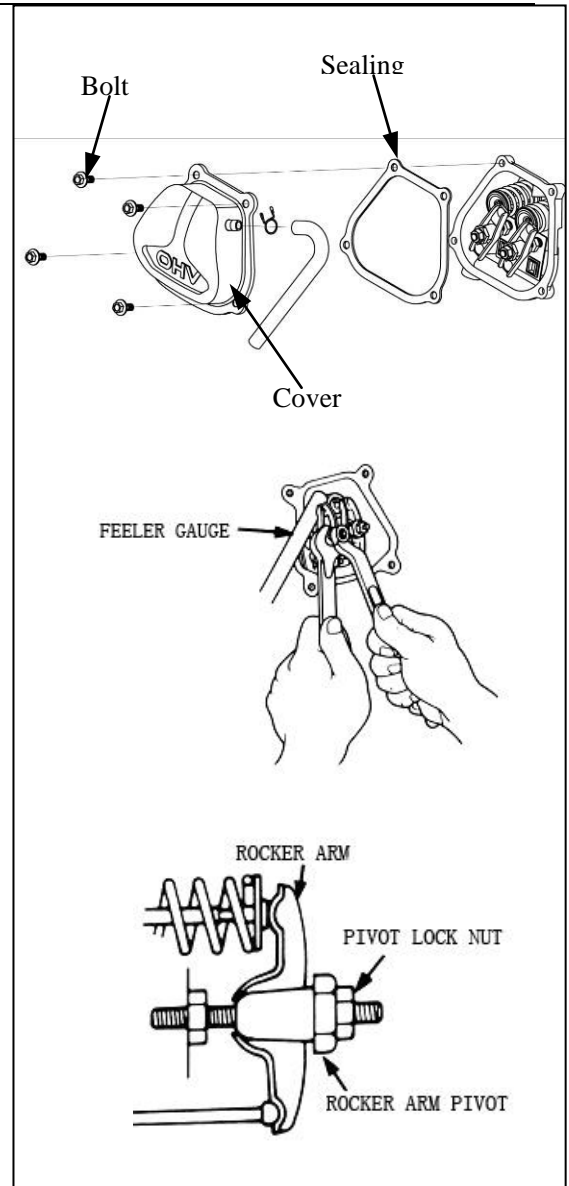
Section 3 Maintenance

3.4 Valve clearance

Valve clearance inspection and adjustment must be done with the engine cold.

Remove the cylinder head cover, and set the piston at top dead center of the compression stroke (both valves will be fully closed).

1. Measure the clearance between the rocker arm and the valve stem with a feeler gauge.
Intake: 0.10-0.15 mm
Exhaust: 0.15-0.20mm
To adjust valve clearance, hold the rocker arm pivot and loosen the pivot lock nut.
2. Turn the rocker arm pivot to obtain the specified clearance.
3. Hold the rocker arm pivot and tighten the pivot lock nut.
4. Recheck the clearance and readjust if necessary.
5. Install the cylinder head cover.

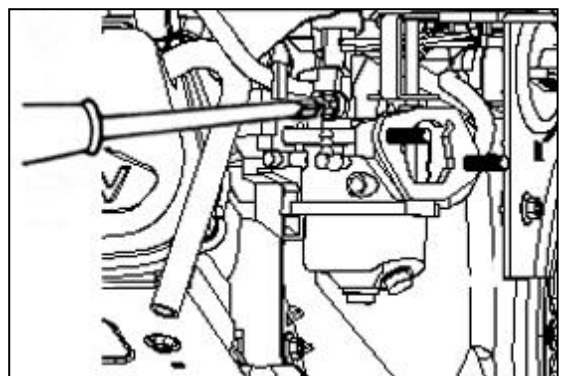


3.5 Carburetor

Idle speed

1. Start the engine. And allow the engine to warm to normal operating temperature.
2. With the engine idling, adjust the throttle stop screw to obtain the recommended engine idle speed.

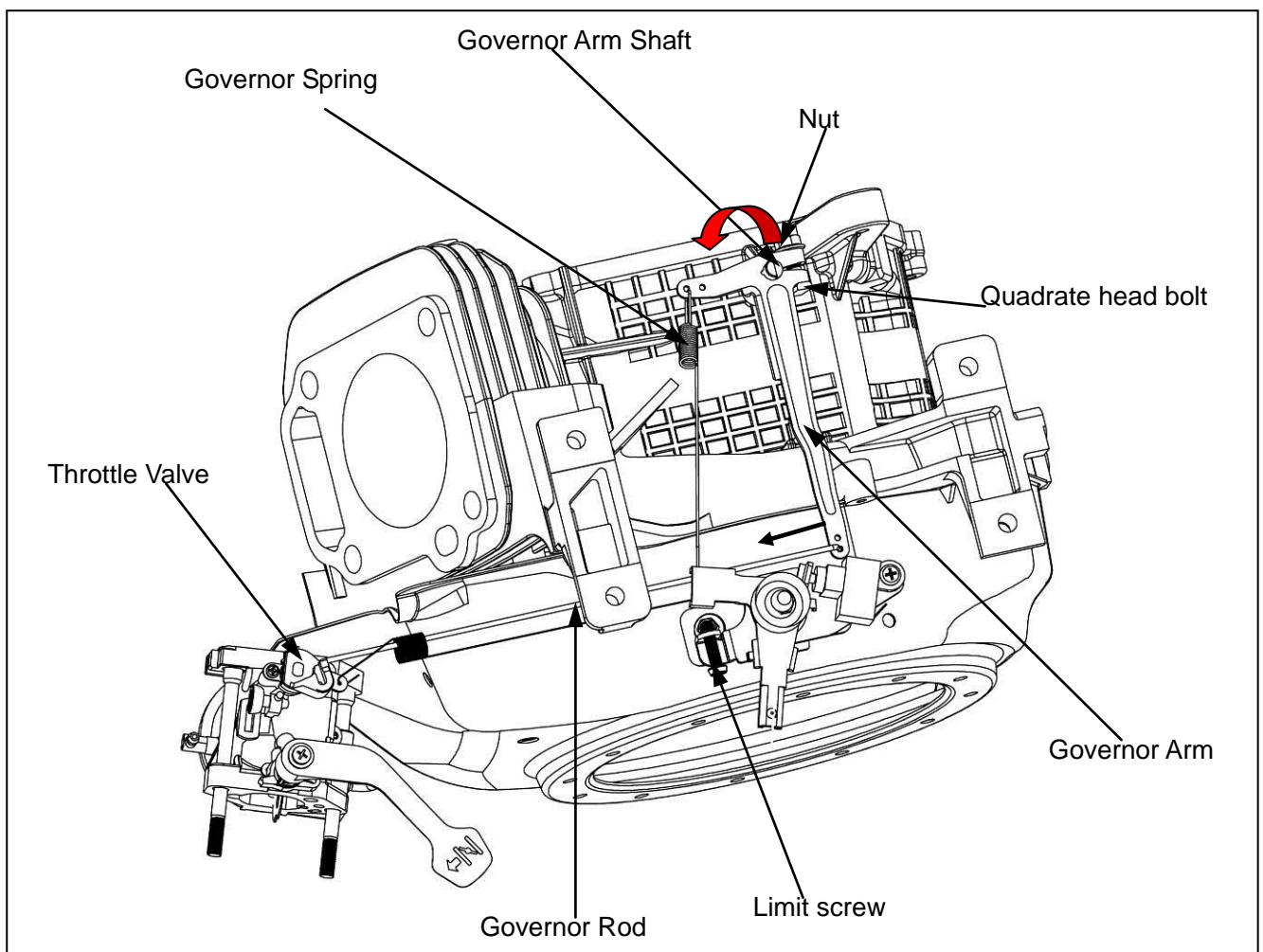
Recommended idle speed: 2000±200 rpm



Section 3 Maintenance

3.6 Governor

1. Loosen the governor bracket nut, wave the bracket to make throttle full open.
2. Turn the governor arm right to make governor full closed (same direction with throttle full open), tighten the nut.
3. Check governor arm and throttle if moving freely,
4. Start engine, and allow it to warm up to the normal operating temperature. Move lever to make engine at maximum speed. Adjust throttle lever screw to make the throttle lever not to exceed this position. (let speed out maximum speed)

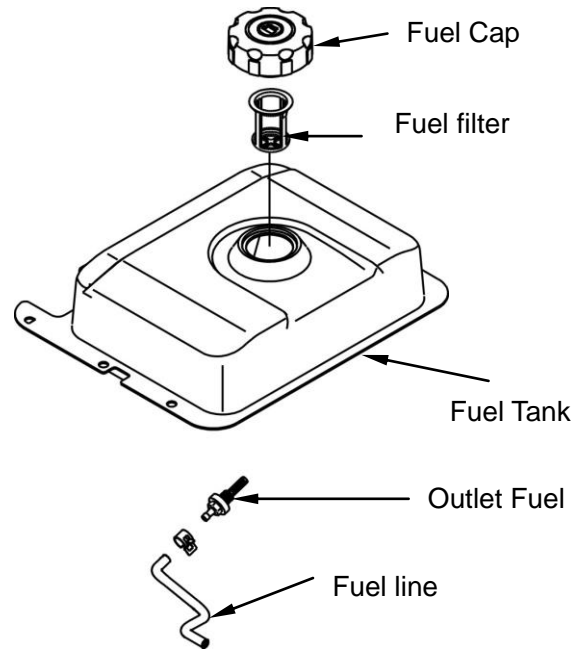


3.7 Fuel filter



Gasoline is extremely flammable and explosive. Don't smoke and fire on the working site. Don't allow the gasoline overflowing.

1. Drain the fuel in the fuel tank thoroughly out and remove the fuel tank.
2. Remove the fuel tube, and remove filter from the fuel line.
3. Wash the filter with gasoline ,After that, reassemble and check if there is leaking.



Section 4 Disassembly and service

4.1	Fuel tank and Engine cover 2# -----	4-2
4.2	Muffler-----	4-3
4.3	Air Cleaner -----	4-4
4.4	Carburetor -----	4-5
4.5	Engine cover 1# , Fuel tank holder and fuel line-----	4-8
4.6	Governor bracket and throttle control assy-----	4-9
4.7	Recoil starter-----	4-10
4.8	Flywheel, ignition coil-----	4-13
4.9	Cylinder head & valves -----	4-16
4.10	Crankshaft / piston / camshaft -----	4-22
4.11	Governor -----	4-30



Section 4 Disassembly and service

4.1 Fuel tank and Engine cover 2#

Disassembly/Reassembly

警告 WARNING

Drain the fuel tank fuel thoroughly out before disassembling. Fuel vapor or spilled gasoline may ignite.

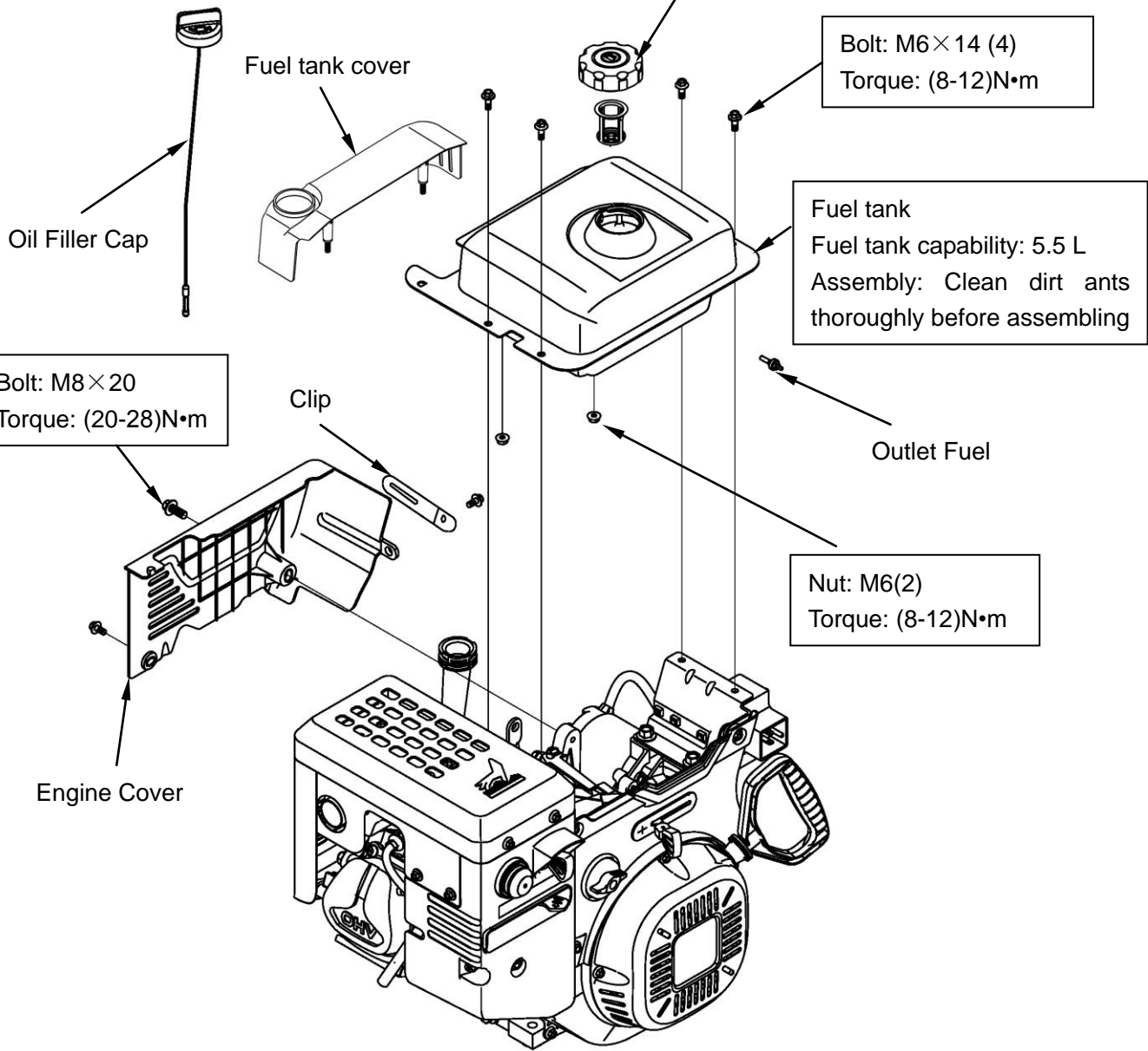
Fuel tank cap
Assembly: Make sure the vent hole is clean and unclogged. Blow if necessary.

Bolt: M6×14 (4)
Torque: (8-12)N•m

Fuel tank
Fuel tank capability: 5.5 L
Assembly: Clean dirt and thoroughly before assembling

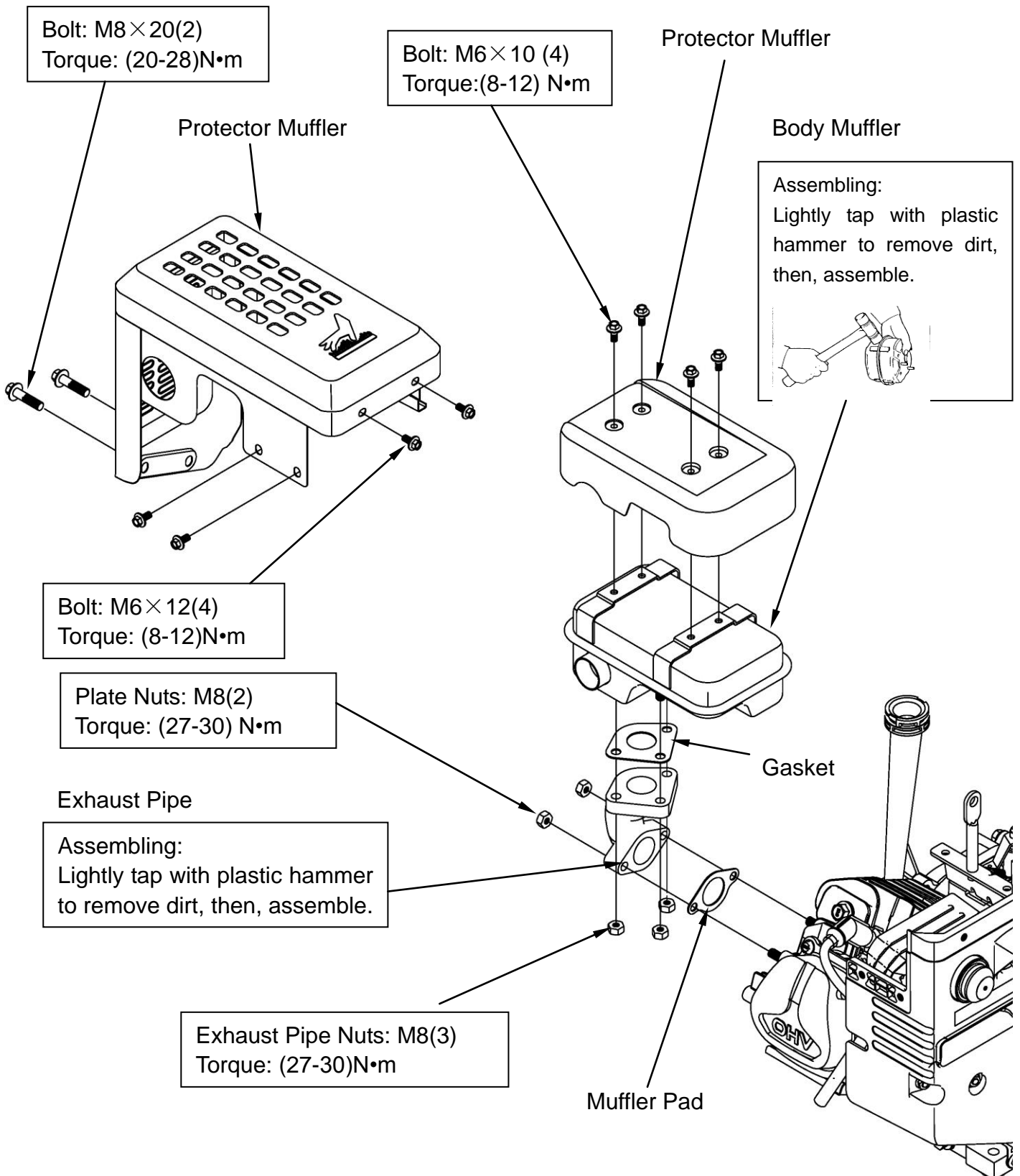
Bolt: M8×20
Torque: (20-28)N•m

Nut: M6(2)
Torque: (8-12)N•m



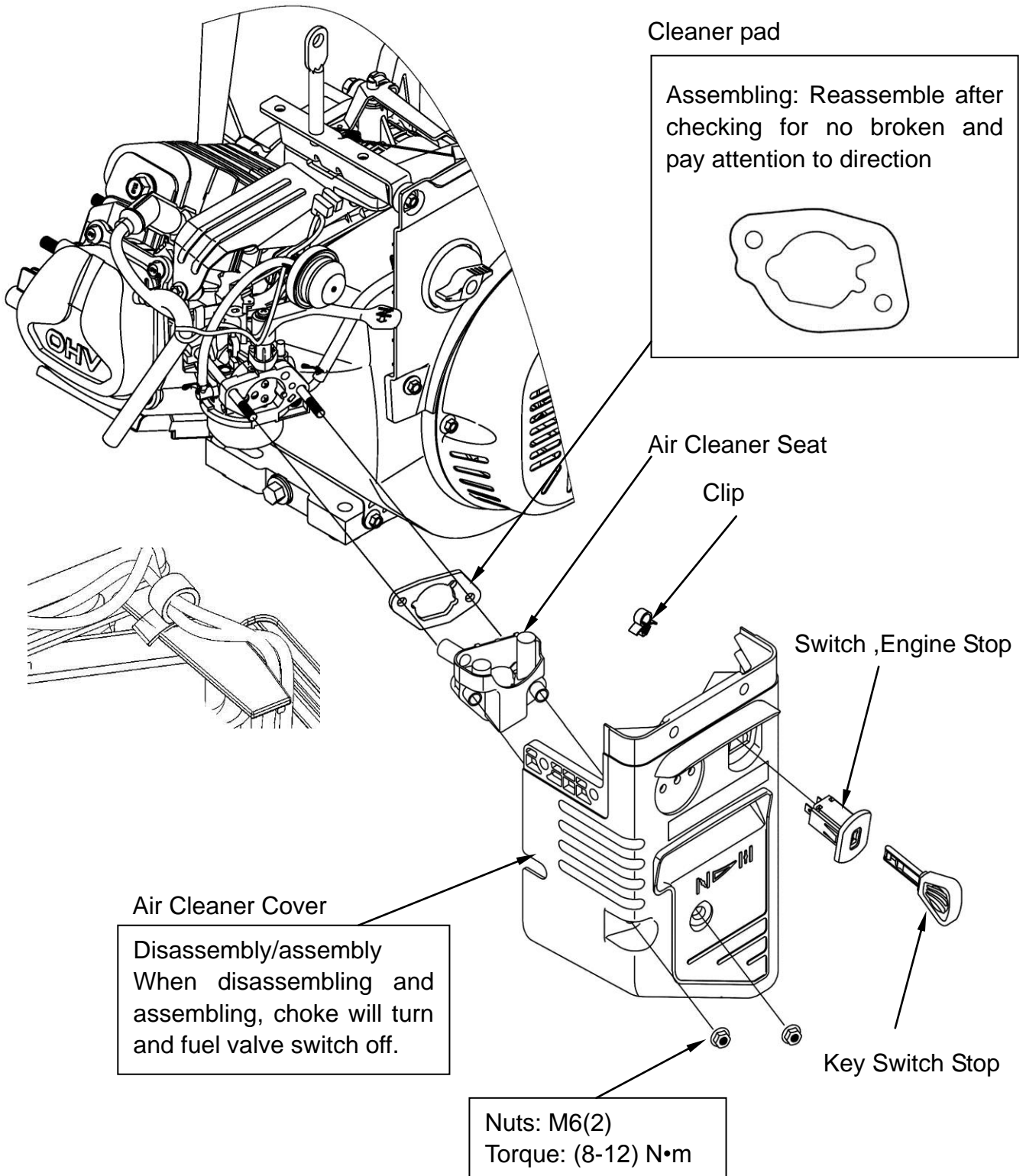
4.2 Muffler

Disassembly/Reassembly



4.3 Air Cleaner

Disassembly/Reassembly

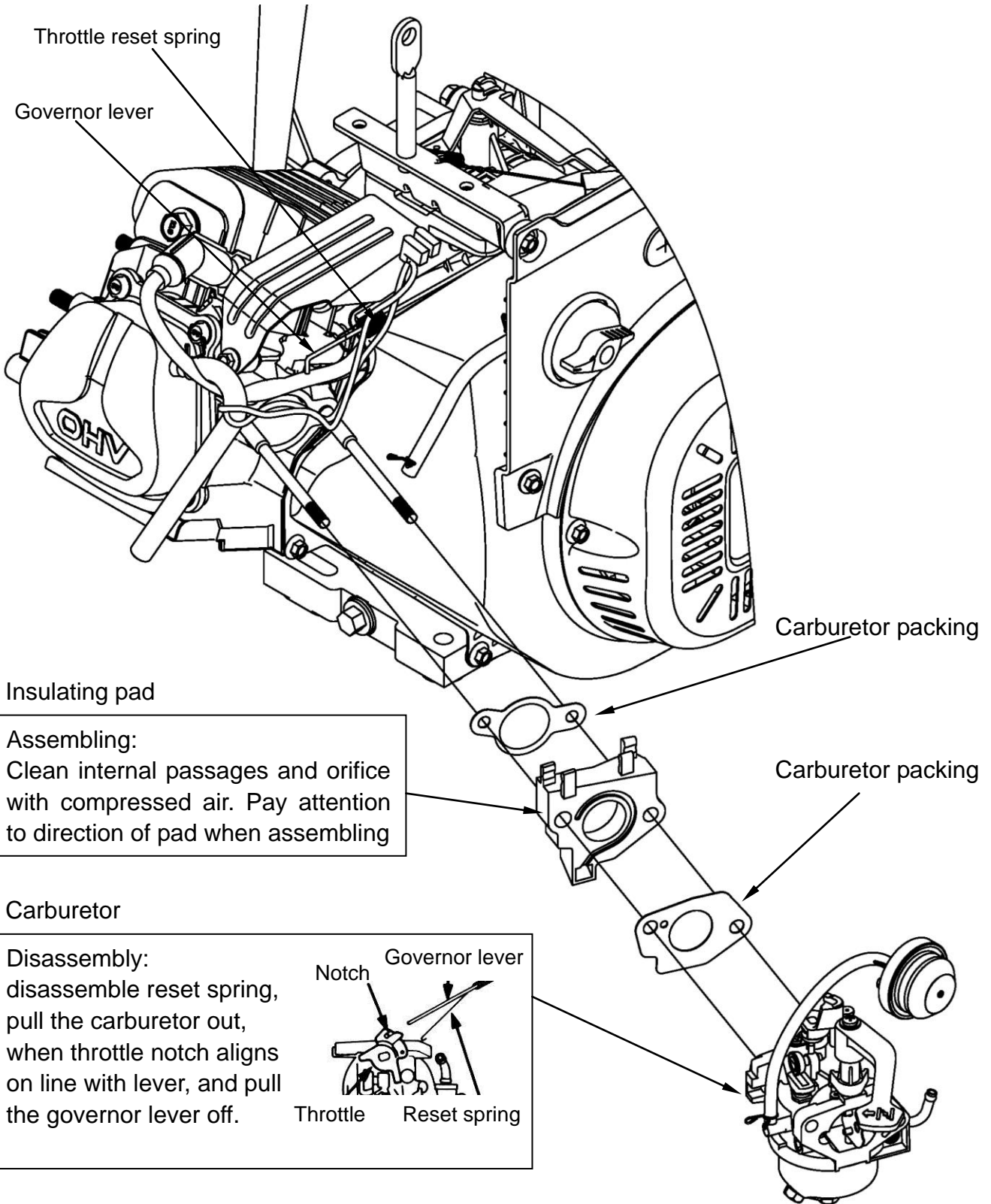


4.4 Carburetor

a. Disassembly/Reassembly

⚠ 警告 WARNING

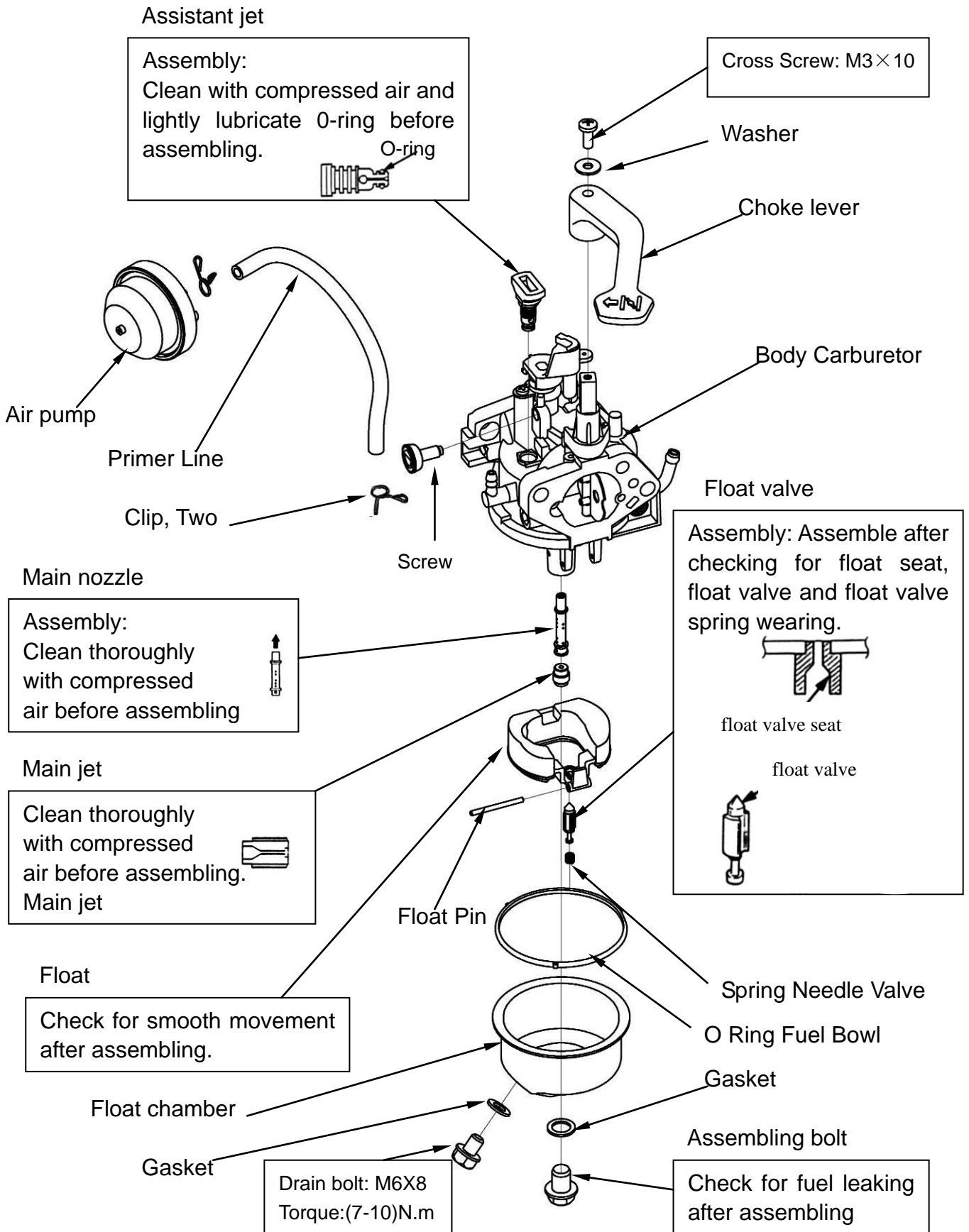
Loosen the drain bolt and drain the carburetor before disassembling. Fuel vapor or spilled fuel may ignite.



Section 4 Disassembly and service

b. Disassembly/Reassembly

Note : Clean the carburetor before disassembling.



Section 4 Disassembly and service

c. Inspecting float height

Place the carburetor as shown on the drawing. Measure the distance between the float top and carburetor body when the float just contacts the float valve

Standard height	13.7 mm
-----------------	---------

If the float height is not within specification, replace float valve and recheck the float height

Washing carburetor

⚠ 警告 WARNING

In order to avoid injury, please wear safety eyeglasses or other eye protector when using compressed air.

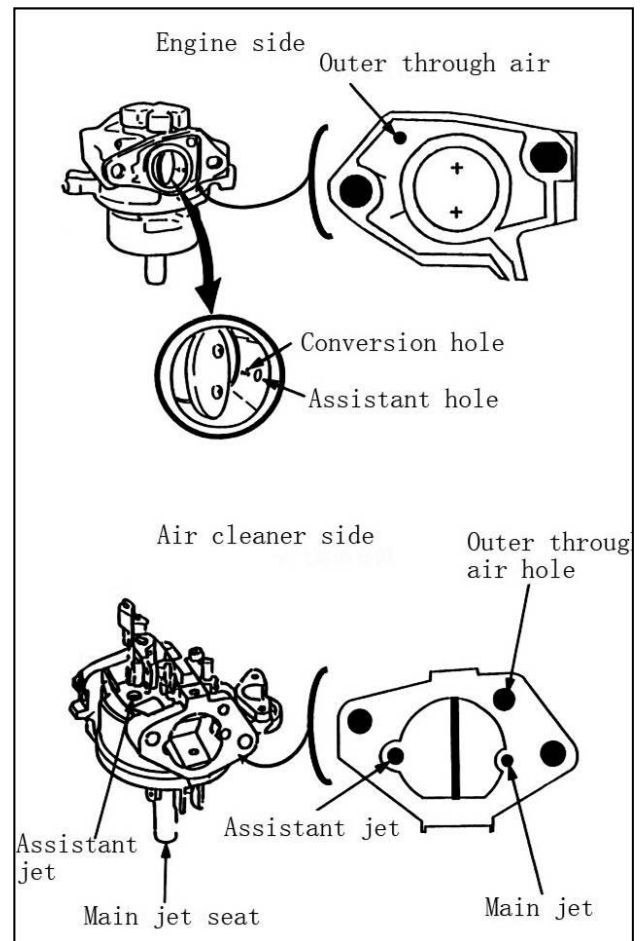
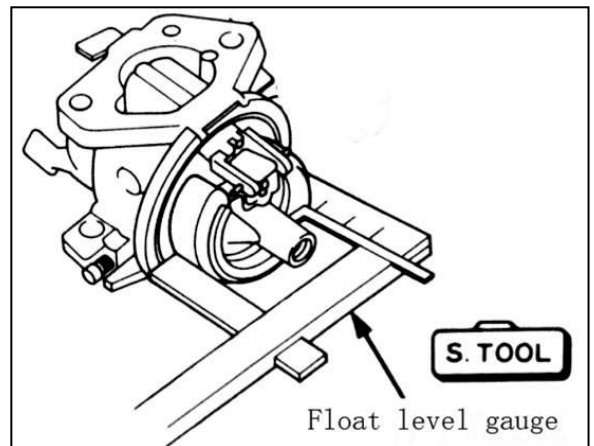
⚠ 警告 CAUTION

Some chemical solvent has strong causticity which can damage plastic parts, such as, O-ring, and float valve seat. Please carefully read vessel manual. If you don't affirm, don't use this solvent to wash carburetor. Too maximum air pressure can damage carburetor, please use proper pressure to wash passage and tube mouth.

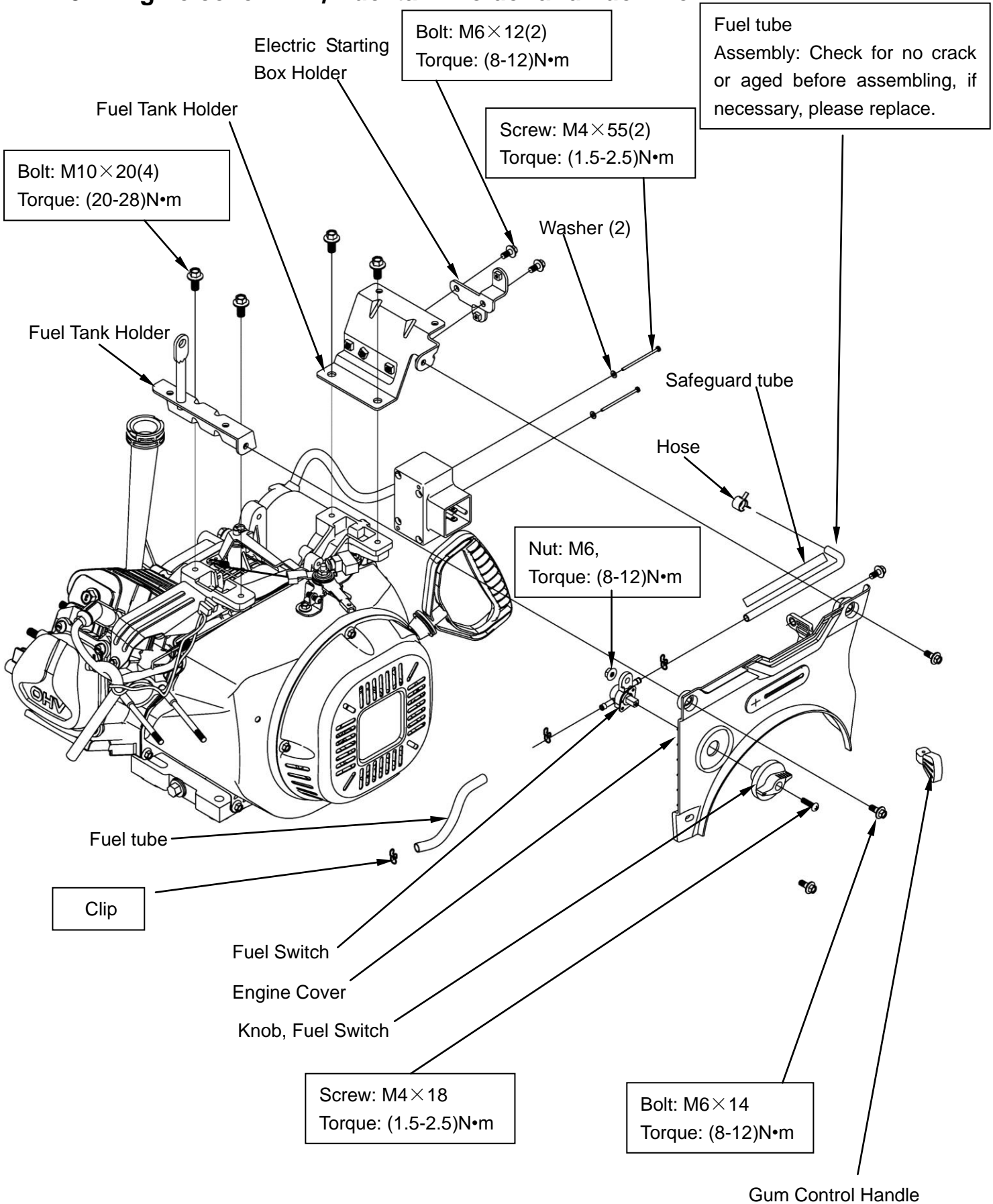
- 1) Use detergent to wash the carburetor.
- 2) Use low pressure air to clean passage, air hole, assistant screw hole, assistant jet hole, assistant air jet hole, main air jet hole and assistant hole.

Note :

The carburetor has inner through and outer through air holes. For outer through hole, it passes through to carburetor oil cup, as well as inner through air hole is closed. For inner through hole, it passes through to carburetor oil cup, as well as outer through air hole is closed.

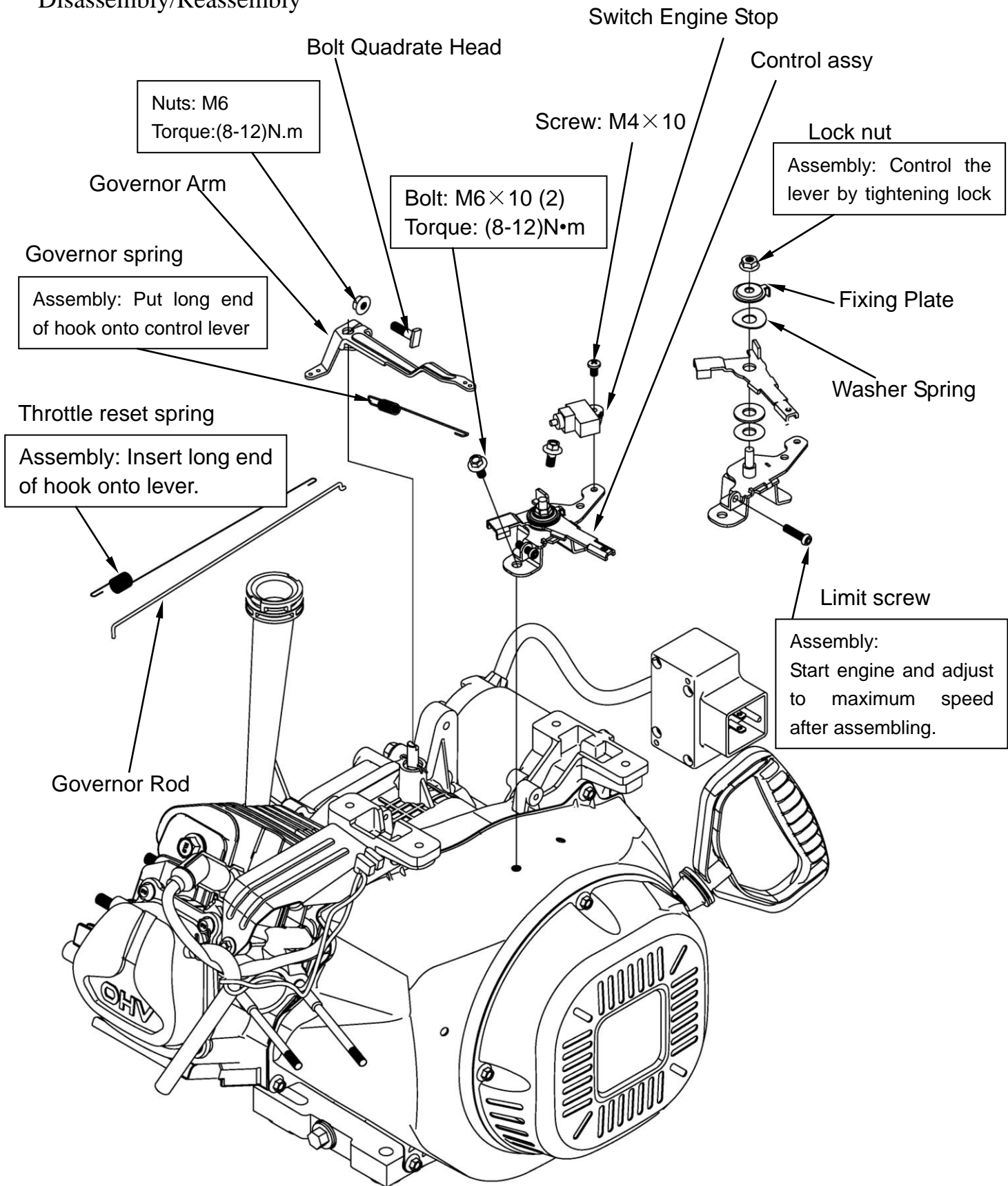


4.5 Engine cover 1# , Fuel tank holder and Fuel line



4.6 Governor bracket and throttle control assy

Disassembly/Reassembly

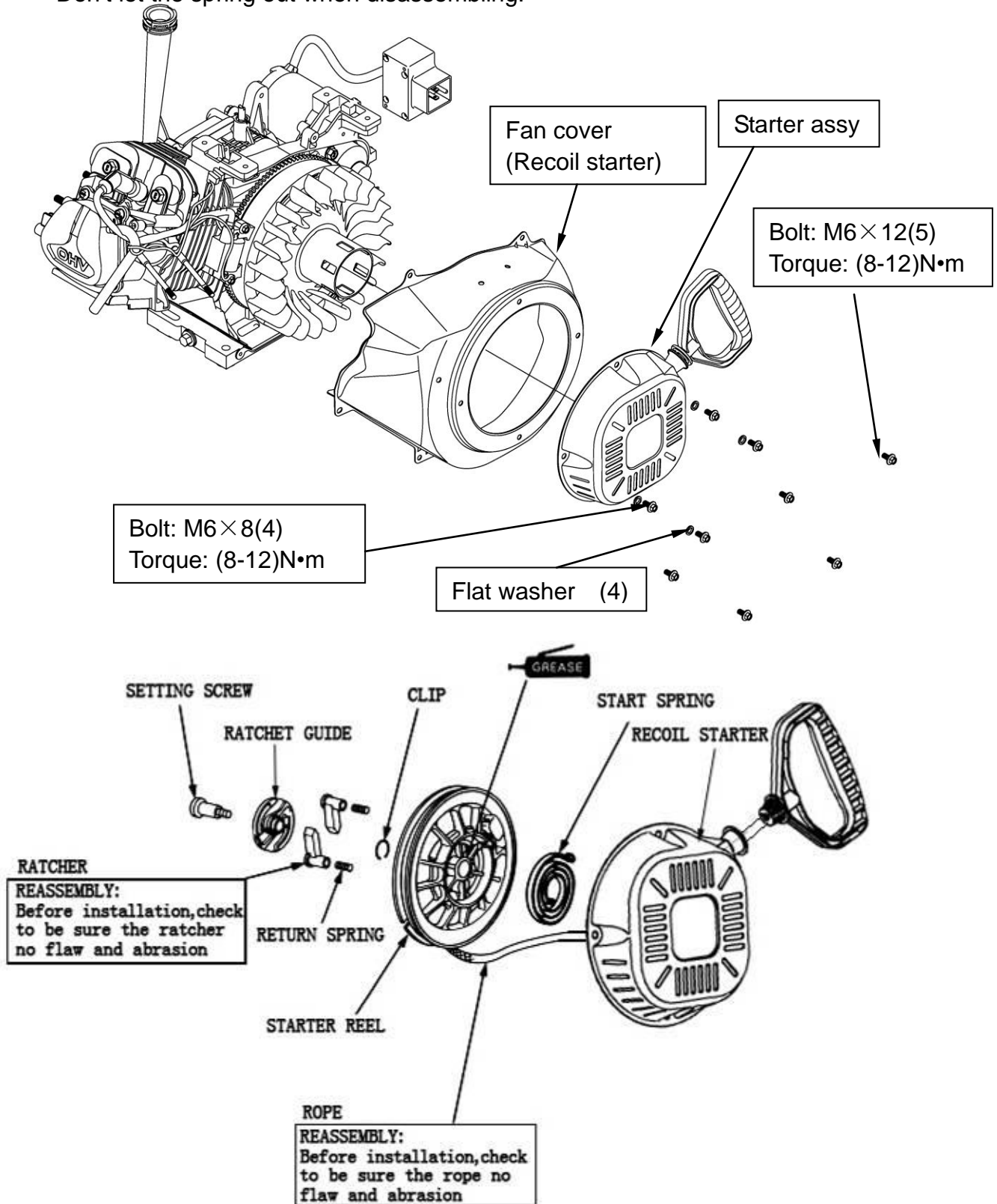


4.7 Recoil starter

a. Disassembly/Reassembly

警告 NING

Wear gloves and eye protectors.
Don't let the spring out when disassembling.



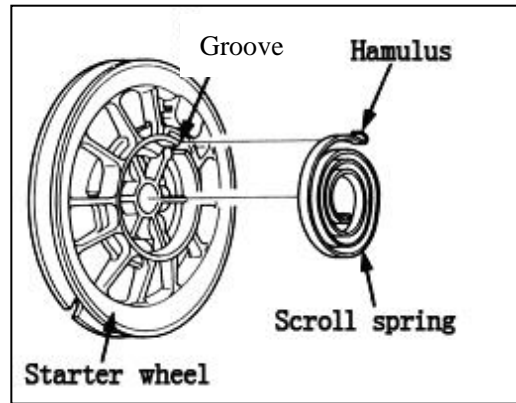
Section 4 Disassembly and service

b、 Recoil starter assembly

⚠ 警告 ING

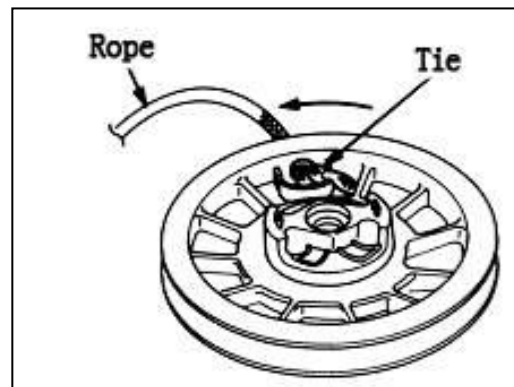
Wear gloves and eye protectors.
Don't let the spring out when disassembling.

Insert the hook on the outer side of the scroll spring into the hole of the starter

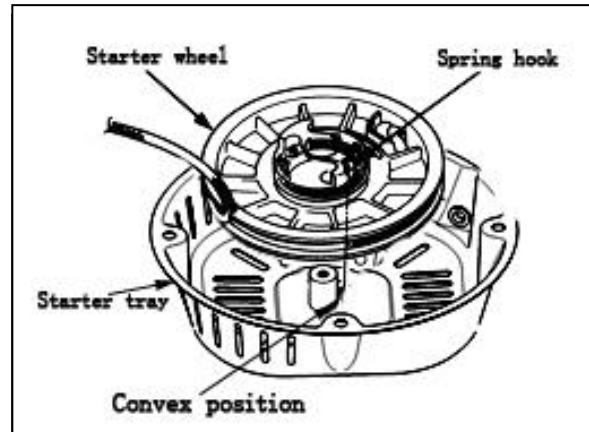


Pass the rope through the hole of the starter wheel and tie the end of rope (shown on drawing), wind the rope onto the reel in the arrowed direction , and remain about 30cm outside the starter wheel.

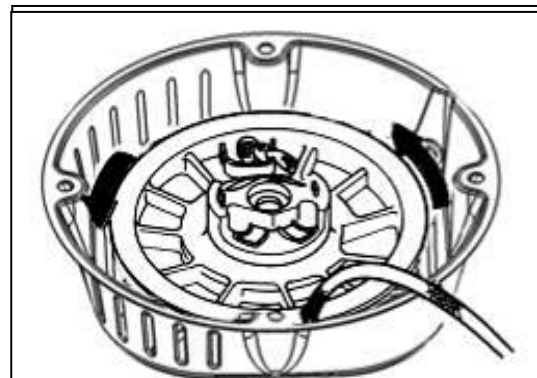
Note: Make sure remaining about 30cm rope outside the starter wheel.



Assemble the starter wheel on the starter reel, insert the hook on the inner side of scroll spring on the convex position of starter tray.



Grasp the starter grip and pre-turn starter wheel two turns as shown as arrow direction.

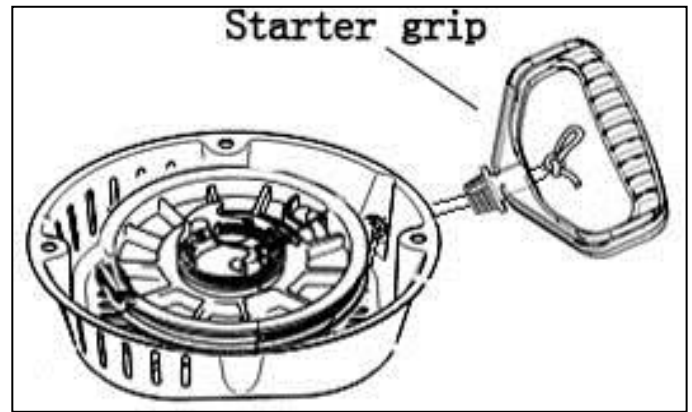


Section 4 Disassembly and service

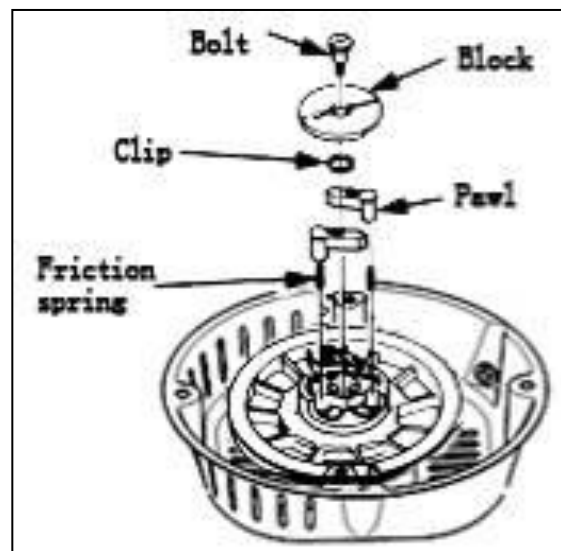
Pass the starter rope through the starter tray, and tie as shown as drawing.

警告 WARNING

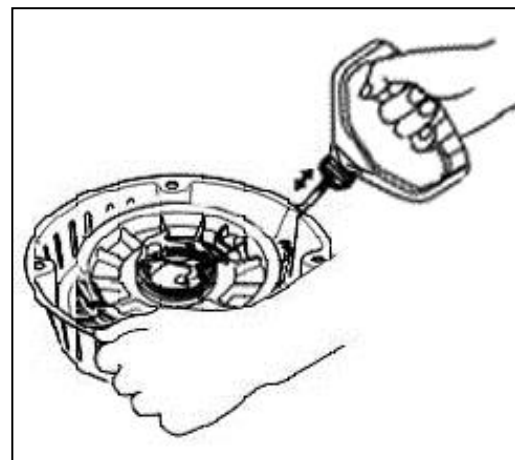
Don't allow the starter wheel leaving off the starter tray, otherwise, the spring fly out to injure person.



Assemble the pawl and friction spring together on the starter wheel, tighten the bolt of bolt.



Pull the starter rope several times to make sure if the pawl moves correctly.



Section 4 Disassembly and service

4.8 Flywheel, ignition coil

a. Disassembly/Reassembly

Starting motor type:

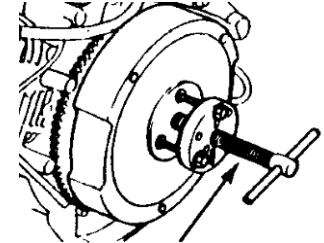
Start the motor, and measure motor operation performance, if the operation performance is not within the maintenance, disassemble

	U.S	EU
Starting voltage	AC 120v	AC 230v
Starting speed	800 (rpm)	800 (rpm)

Bolt: M8×40(2)
Torque: (22-28)N•m

<Starting motor>

. Remove the igniting coil before removing flywheel
. Don't hit the flywheel with a hammer. Remove as shown on the drawing with a special tool.



Flywheel puller

Reassembly: Degrease the crankshaft taper face and flywheel hole, then assemble.

Woodruff key

After assembling, check to be sure that the woodruff key is still in its slot on the crankshaft

Bolt: M6×30(2)
Torque: (8-12)N•m

Bolt: M6×12
Torque: (8-12)N•m

Nut: M16×1.5,
torque: (90-115)N•m
(Apply engine oil on the thread.)
Disassembly/reassembly:
Insert a screwdriver or another tool into the hole of starter pulley to prevent flywheel from rotating.

Spark plug

High-tension cord

Assembly:
Check for cracked or damaged insulation, replace if necessary.

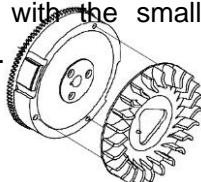
Lighting coil

Igniting coil

Bolt: M6×25 (2)
Torque: (8-12)N•m

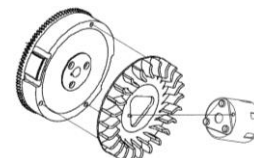
Cooling fan

Caution: When servicing, take care not to damage the fan blades.
Reassembly: Assemble the fan, aligning the three lugs on the back of the fan with the small holes in the flywheel.



Starting cup

Assemble, aligning the lugs on the starting cup with the small holes in the fan

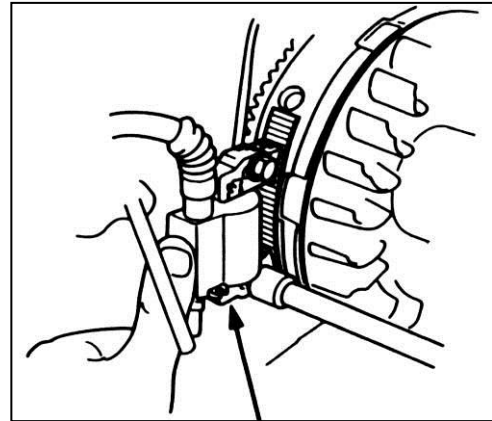


Section 4 Disassembly and service

b. Igniting coil gap adjustment

When reassembling igniting coil, adjust the igniting coil gap.

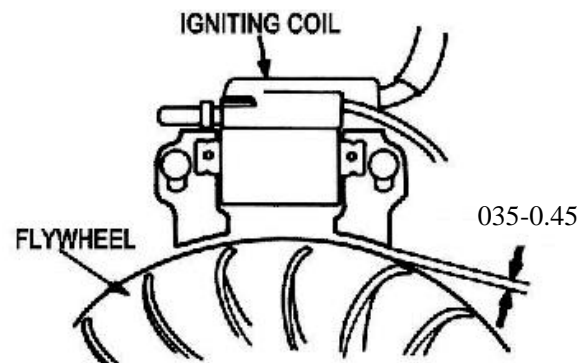
- 1) Lightly tighten the igniting coil mounting bolt.
- 2) Insert the feeler gauge or a piece of paper of the same thickness between the flywheel and coil as shown.
- 3) Push the coil against the flywheel by hand and tighten the two bolts.



Igniting coil gap	0.35-0.45mm
-------------------	-------------

Notice

Adjust both ends of the coil to the same gap. Avoid the magnet portion of the flywheel when adjusting.



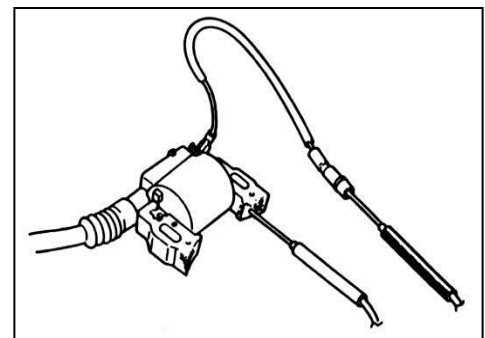
Inspection

Igniting coil:

<Primary coil>

Put the tester terminal and lead terminal to contact with iron core of coil, and measure the primary coil resistance.

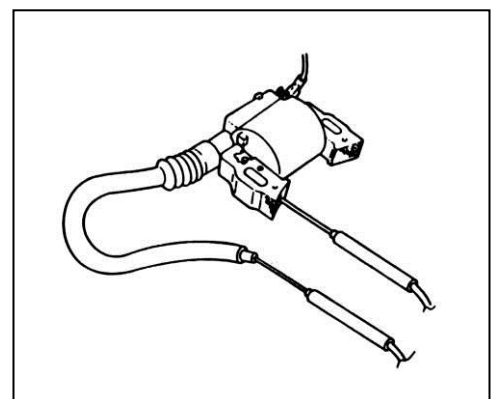
Primary coil resistance	0.8-1.1 Ω
-------------------------	------------------



<Secondary coil>

Put the tester terminal and removed spark plug cap's high tension cord to contact with iron cord and measure the secondary coil resistance.

Secondary coil resistance	5.9-7.1 K Ω
---------------------------	--------------------



Section 4 Disassembly and service

Notice

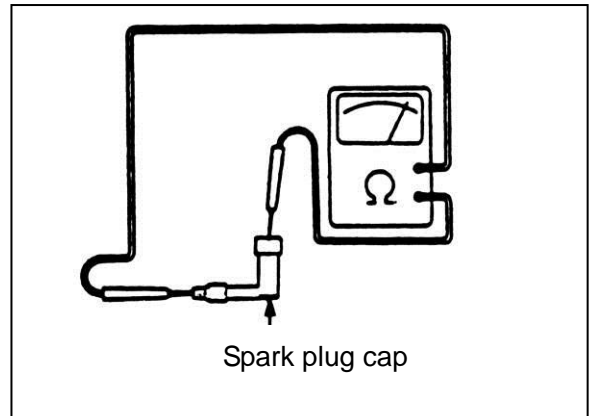
A false reading will result if the spark plug cap is not removed.

c、 Spark plug cap

Put the tester to contact the two end of the spark plug cap and measure spark plug cap resistance

Resistance	7.5-12.5 K Ω
------------	---------------------

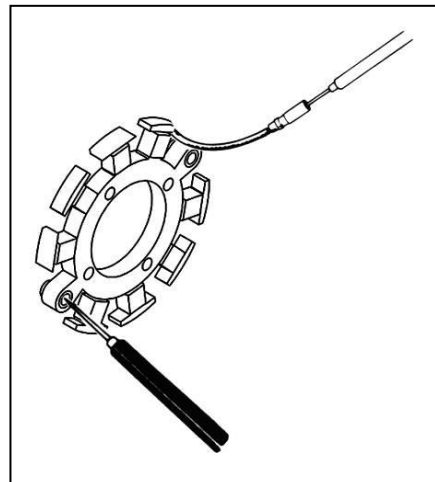
If the resistance is out of the specification, replace the spark plug.



d、 Lighting coil (work speed:3000~3400 rpm)

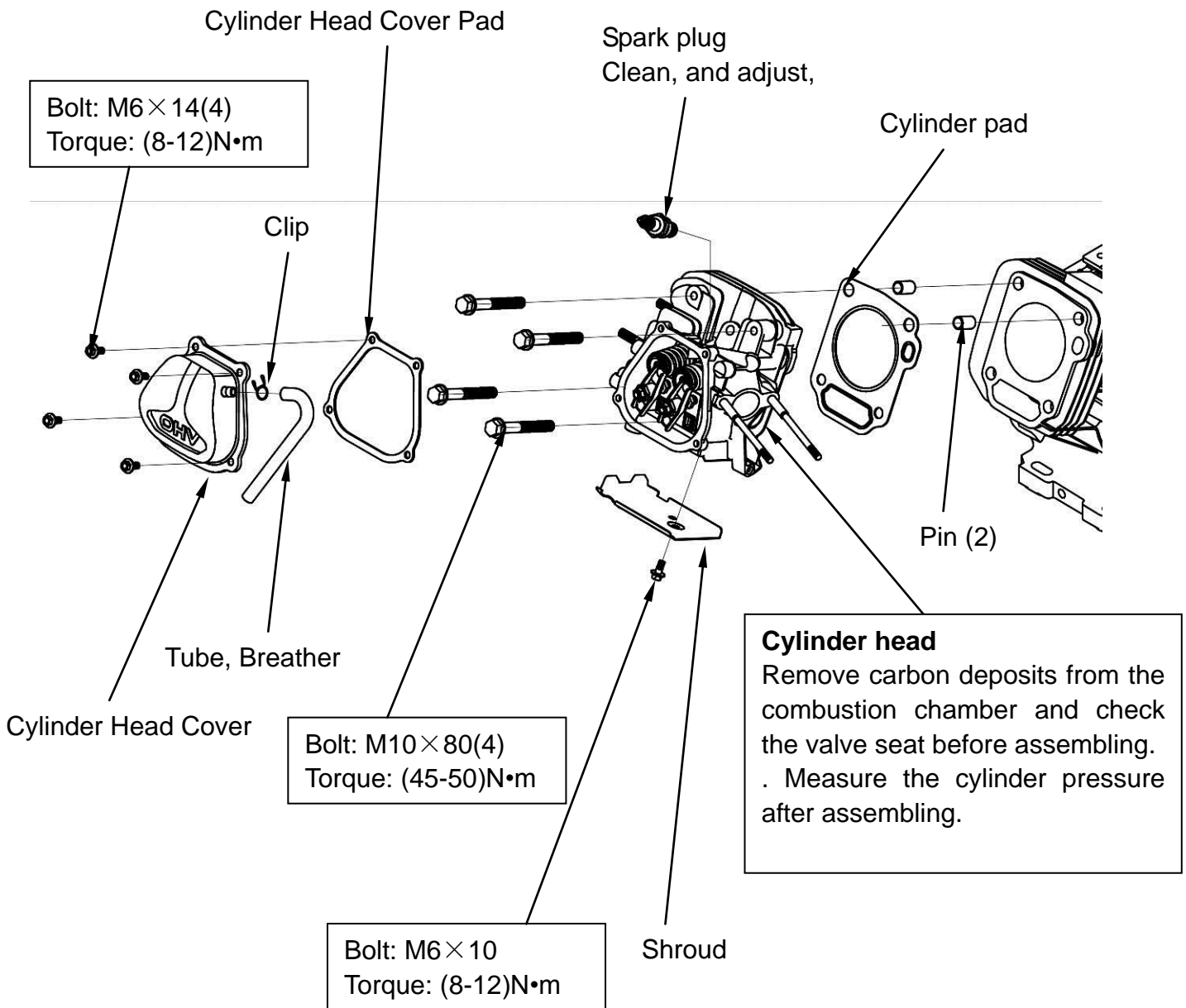
Measure resistance between lead wire terminals as shown on the drawing

Type	Resistance
12V-37.5W	0.21-0.31 Ω



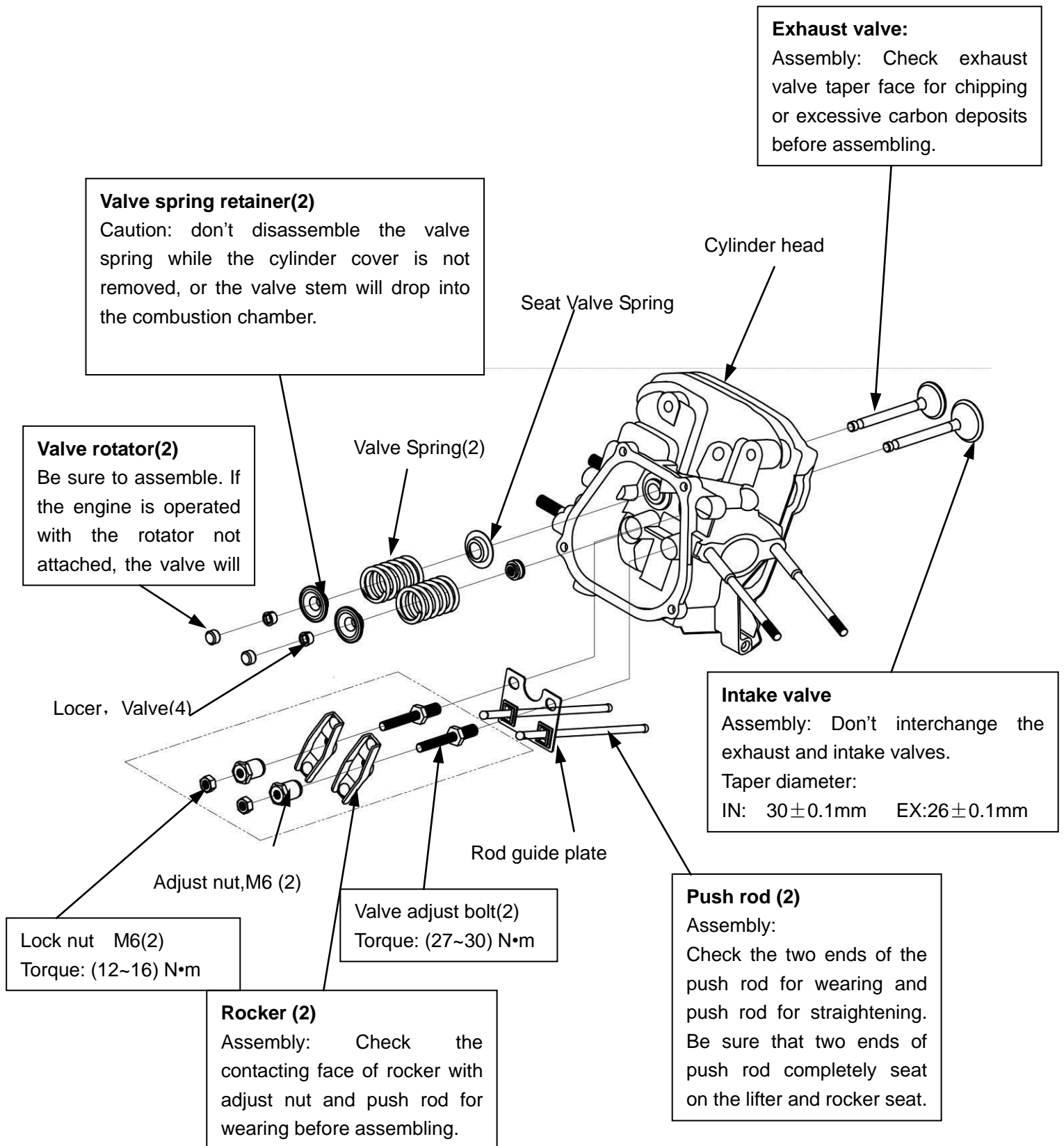
4.9 Cylinder head & valves

Disassembly/reassembly



Section 4 Disassembly and service

Disassembly / reassembly



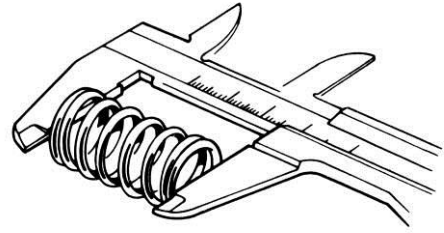
Section 4 Disassembly and service

Valve spring free length

Measure the free length of the valve springs.

Standard	Service limit
39 mm	37.5 mm

Replace the spring if they shorter than the service limit.

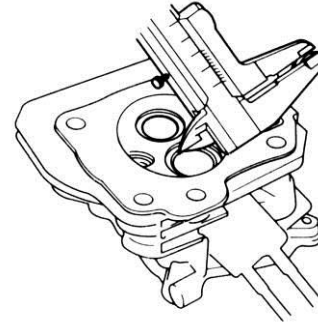


Valve seat width

Remove carbon deposits from the combustion chamber. Inspection the valve seats for pitting or other damage. Measure the valve seat width.

Standard	Service limit
0.8 -1.0 mm	2.0 mm

If the valve seat width is under the standard, or over the service limit, recondition the valve seat

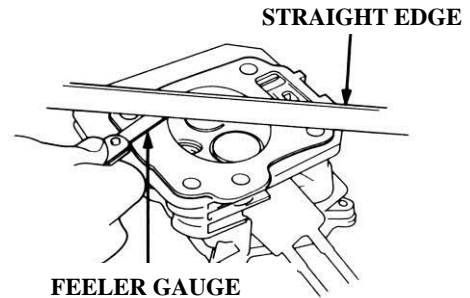


Cylinder head

Remove carbon deposits from the combustion chamber. Clean off any gasket material from the cylinder head surface.

Check the spark plug hole and valve areas for cracks. Check the cylinder head for warpage with a straight edge and a feeler gauge as shown.

Service limit	0.10 mm
---------------	---------

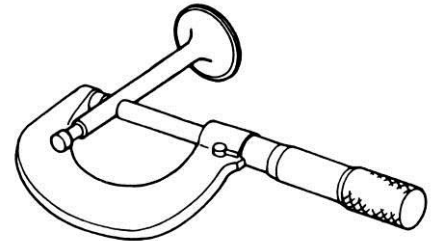


Valve stem OD

Inspect each valve for face irregularities, bending or abnormal stem wear. Replace the valve if necessary. Measure and record each valve stem OD.

	Standard	Service limit
IN	6.565-6.580mm	6.44 mm
EX	6.545-6.560 mm	6.40 mm

Replace the valves if their OD is smaller than the service limit.

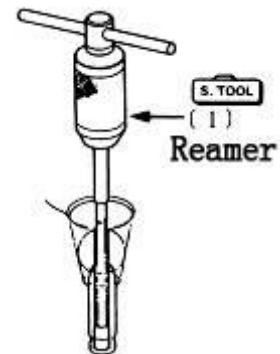


Valve guide ID

Ream the exhaust valve guide to remove any carbon deposits before measuring.

Measure and record each valve guide ID.

Standard	Service limit
6.60-6.615 mm	6.66mm

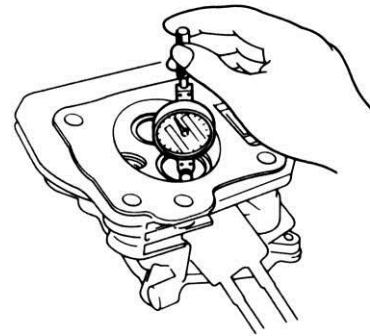


Stem –to- guide clearance

Subtract each valve stem OD from the corresponding guide ID to obtain the guide-to-stem clearance.

	Standard	Service limit
IN	0.01-0.037 mm	0.10 mm
EX	0.06-0.077 mm	0.12 mm

If the stem-to-guide clearance exceeds the service limit, determine if the new guide with standard dimensions would bring the clearance within tolerance. If so, replace the guide (or cylinder head) as necessary and ream to fit. If the stem-to-guide clearance exceeds the service limit with new guides, replace the valves as well. Recondition the valve seat whenever the valve guide is replaced.



Cylinder head service

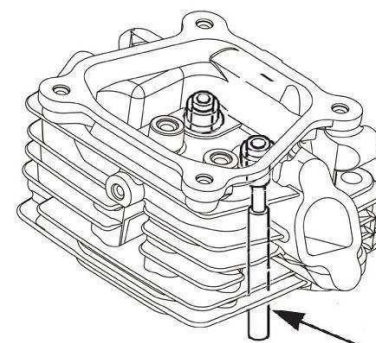
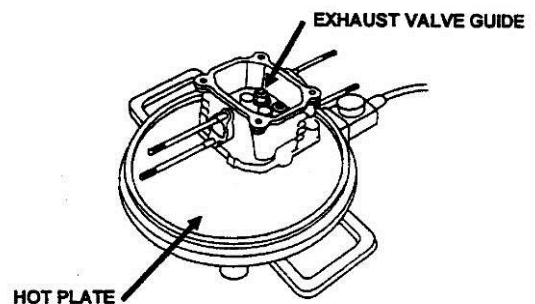
Exhaust valve guide replacement

The intake valve guide is not replaceable. If the intake valve guide is worn beyond the service limit, Replace the cylinder head.

1. chill the replacement exhaust valve guide in the freezer section of a refrigerator for about an hour.
2. use a hot plate or oven to heat the cylinder head evenly to 150°C (330°F)

Check the temperature with a temperature indicating stick (available at welding supply stores) or equivalent.

Wear heavy gloves to prevent burns when handling heated cylinder head.



Notice

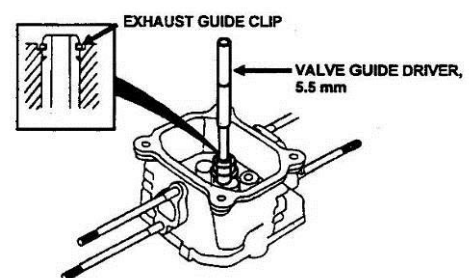
Do not use a torch to heat the cylinder head; warpage of the cylinder head may result
Do not get the head hotter than 150°C (330°F); excessive heat may loosen the valve seats.

3. remove the heated cylinder head from the hot plate and support it with wooden blocks. Drive the exhaust valve guide out of the head from the combustion chamber side.

Notice

When driving the valve guide out, be careful not to damage the head.

4. remove the new exhaust valve guide from the refrigerator.



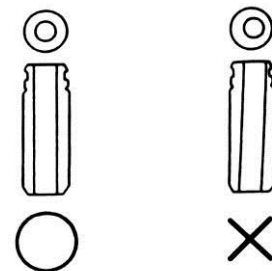
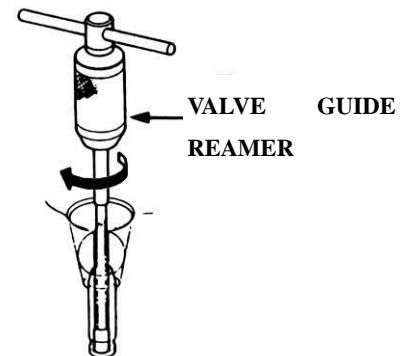
Section 4 Disassembly and service

- install the new valve guide from the valve spring side of the cylinder head. Drive the valve guide until the clip is fully seated as shown.
- after installation, inspect the valve guide for damage. Replace the guide if damaged.

Exhaust valve guide reaming

For best results, be sure the cylinder head is at room temperature before reaming the exhaust valve guide.

- coat the reamer and valve guide with cutting oil.
- rotate the reamer clockwise through the valve guide the full length of the reamer.
- continue to rotate the reamer clockwise while removing it from the valve guide.
- thoroughly clean the cylinder head to remove any cutting residue.
- check the valve guide bore; it should be straight, round and centered in the valve guide. Insert the valve and check operation. If the valve does not operate smoothly, the guide may have been bent during installation. Replace the valve guide if it is bent or damaged.
- check the valve stem-to-guide clearance

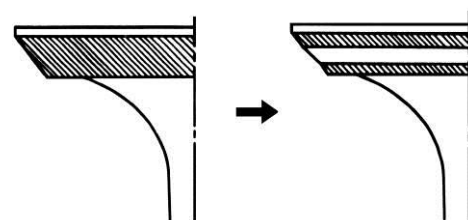


valve seat reconditioning

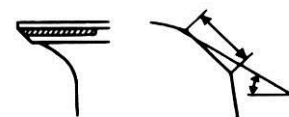
- thoroughly clean the combustion chambers and valve seats to remove carbon deposits.
- apply a light coat of Prussian Blue or erasable felt-tipped marker ink to the valve faces.
- insert the valve, and then lift them and snap them closed against their seats several times. Be sure the valve does not rotate on the seat. The transferred marking compound will show any area of the seat that is not concentric.
- using a 45°cutter, remove enough material to produce a smooth and concentric seat. Follow the valve seat cutter manufacture's instructions.

Turn the cutter clockwise, never counterclockwise.
Continue to turn the cutter as you lift it from the valve seat.

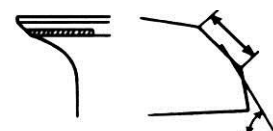
- using the 30°-60°cutter to narrow and adjust the valve seat so that it contacts the



CONTACT TOO HIGH



CONTACT TOO LOW



Section 4 Disassembly and service

middle of the valve face. The 30° cutter removes material from the top edge. The 60° cutter removes material from the bottom edge. Be sure that the width of the finished valve seat is within specification.

Valve seat width

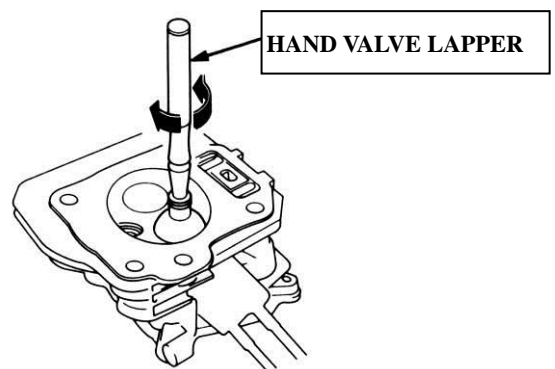
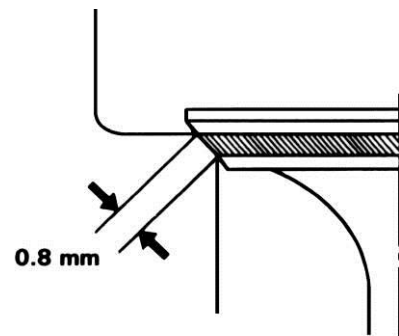
Standard	Service limit
0.8 -1.0 mm	2.0 mm

1. make a light pass with the 45° cutter to remove any possible burrs at the edges of the seat.
2. after resurfacing the seats, inspection for even valve seating.
3. apply a light coat of Prussian Blue or erasable felt-tipped marker ink to the valve faces.
4. insert the valves, and then lift them and snap them closed against their seats several times. Be sure the valve does not rotate on the seat. The seating surfacing, as shown by the transferred marking compound, should have good contact all the way around.

Notice

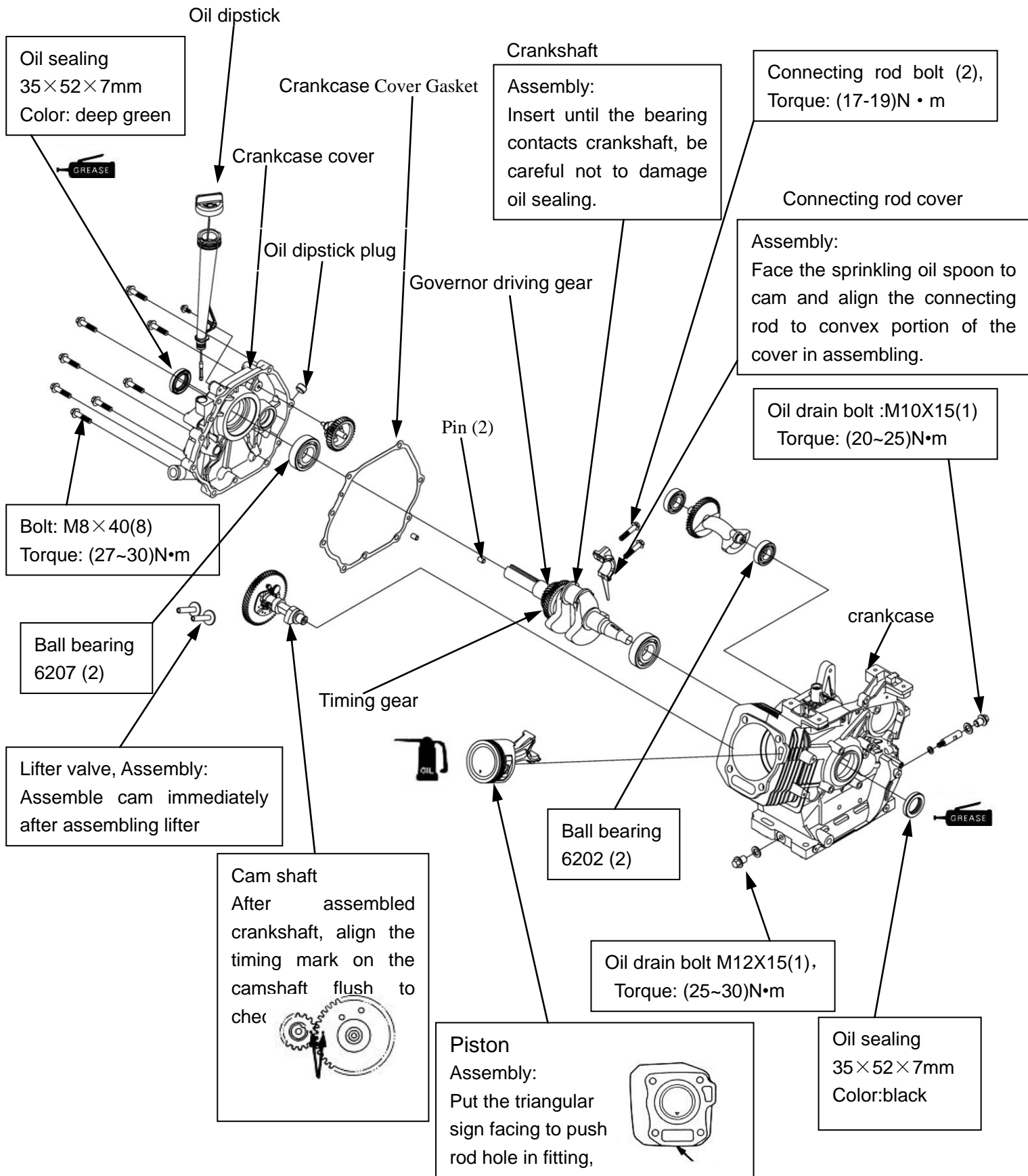
To avoid severe engine damage, be sure to remove all lapping compound from the head before reassembling.

5. check the valve clearance after reassembly.



4.10 Crankshaft / piston / camshaft

Disassembly / reassembly



Section 4 Disassembly and service

Crankshaft bearing

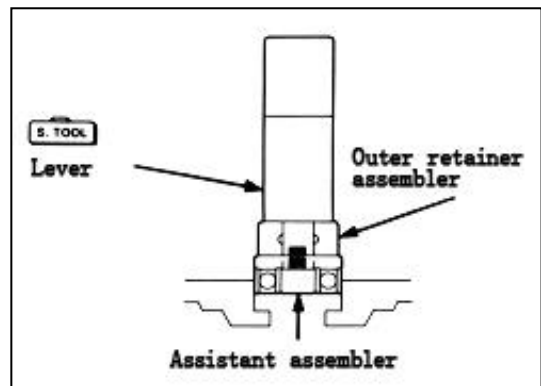
Assembly:

Assemble the bearing in with following the tool after applying engine oil.

Assembly lever

52×55 mm outer retainer assembler

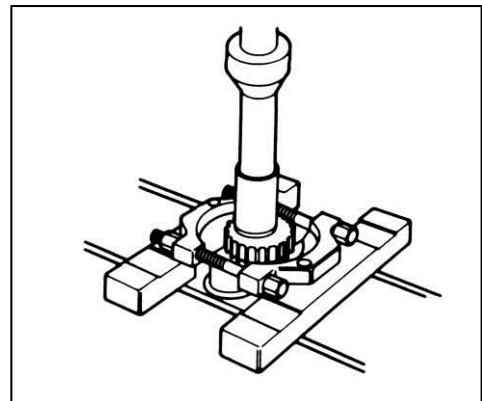
Assistant assembler



Gear on the crankshaft

Disassembly:

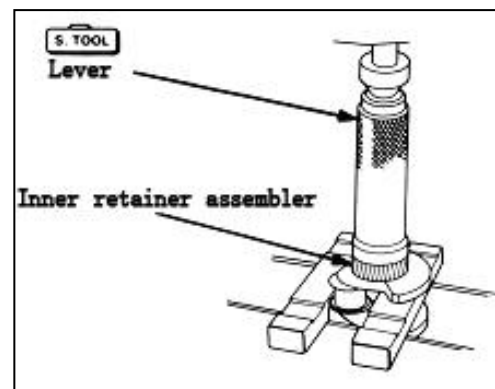
Mark a line on the crankshaft and a timing gear. Set the commercial available bearing puller plate on the lower part to the governor drive gear and remove the crankshaft and timing gear by manual compressor. Disassemble the governor drive gear in the same way.



Assembly:

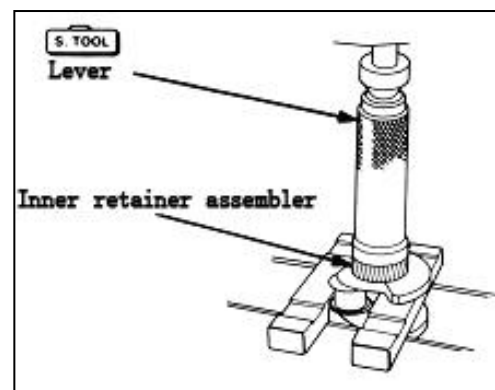
Timing gear

Using the old gear for reference, make a mark at the same position on the new gear. Using a hydraulic press, lever and inner retainer assembler (the special tools shown,), press the timing gear onto the crankshaft after aligning old and new gears mark flush.



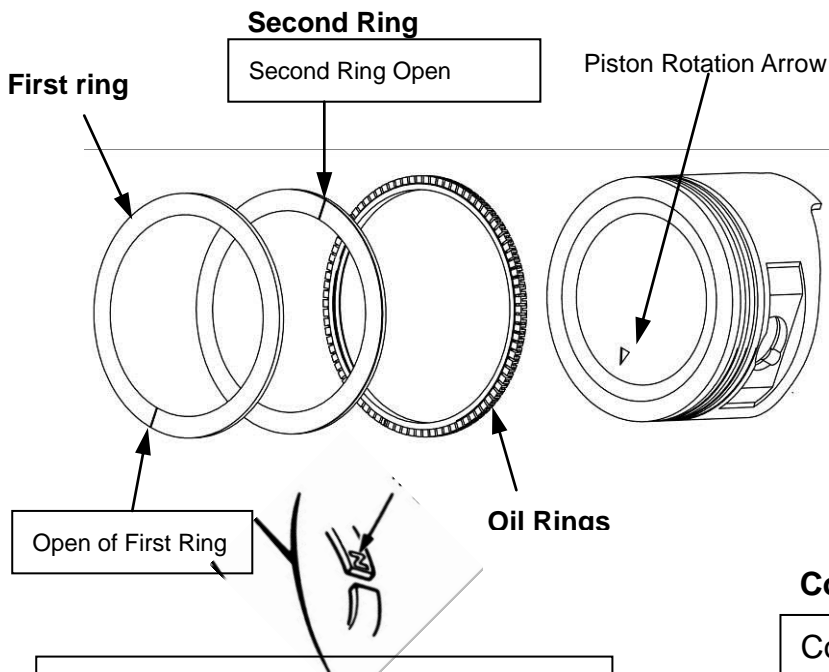
Governor drive gear

Use a hydraulic press lever and inner retainer assembler (special tool) to press in a new governor drive gear.



Disassembly / reassembly

Piston connecting rod



Assembly:

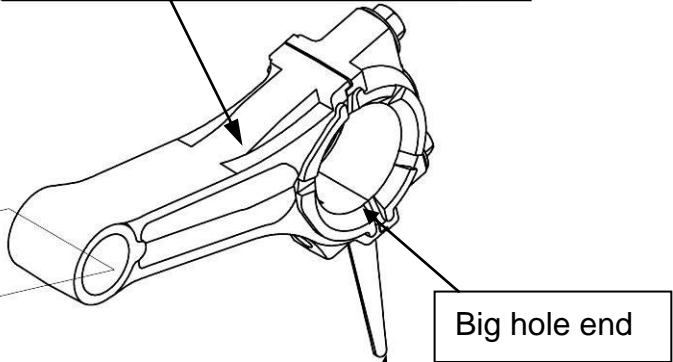
- . Put the piston ring sign facing up when assembling.
- . Don't wrongly assemble the top ring and the second ring.
- . After assembling, be sure the piston can freely move.
- . Stagger the open of the piston to piston pin hole with 120 degree.

Attention:
First and Second Rings are stagger 150° ~ 210°

Attention:
Scrape Rings are stagger 150° ~ 210° from the oil Ring

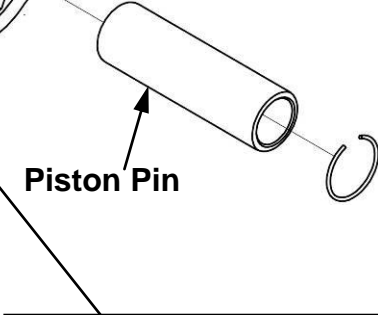
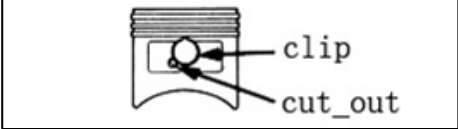
Connecting Rod

Connecting rod
Assembly: Put the long end of the connecting rod aiming at the triangular mark when assembling



Piston Pin Clip (2)

Assembly: Put the one end into the piston slot, clamp other end by sharp nose pliers and revolve into slot. Don't let the open of clip aiming at the piston pin slot.



Attention: Piston Rotation Arrow should point at Valve Lifter

Oil Splash Spoon

Attention:
Oil Splash Spoon point the same direction of the Piston Rotation Arrow

Section 4 Disassembly and service

Timing gear

Disassembly:

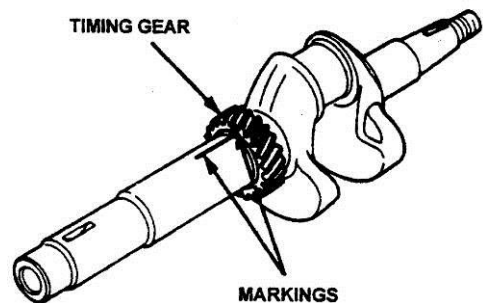
1. scribe a line on the crankshaft and the timing gear tooth as shown.
2. use a hydraulic press and a commercially available bearing puller to remove the timing gear.

Reassembly:

1. using the old gear for reference, scribe a line at the same position on the new timing gear tooth.
2. use a hydraulic press and the special tool to press the timing gear in with the scribed marks aligned.

Notice

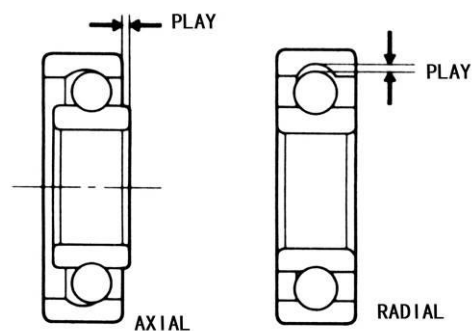
Do not scribe the crankshaft deeply. Otherwise, oil may seep through the oil seal.



Inspection

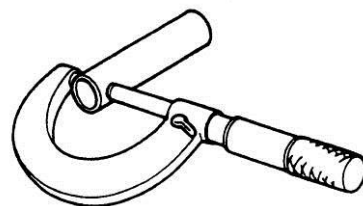
Crankshaft bearing free play

1. clean the bearing in solvent and dry it.
2. spin the bearing by hand and check for play.
Replace the bearing if it is noisy or has excessive play.



Piston pin OD

Standard	Service limit
17.992-17.998mm	17.95 mm



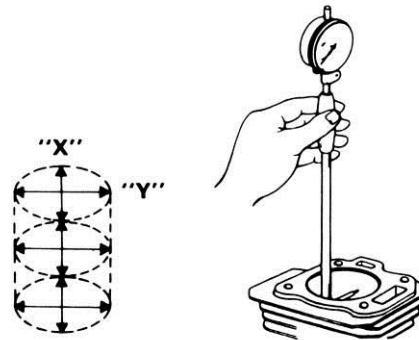
Section 4 Disassembly and service

Cylinder inside diameter

Measure three points on the “X” and “Y” shaft and record cylinder inside diameter (“X” shaft is vertical to crankshaft and “Y” shaft parallel to crankshaft).

Take maximum reading as the wearing and tapering of the cylinder.

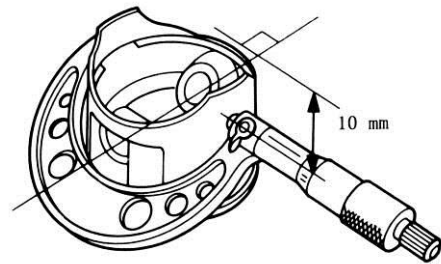
Model	Standard	Service limit
185FDS	85.015-85.025mm	85.17 mm
190FDS	90.015-90.025mm	90.17mm



Piston skirt outside diameter

Measure and record the piston skirt outside diameter at the 10mm from piston skirt maximum lower side making 90° to piston pin hole.

Model	Standard	Service limit
185FDS	84.970-84.980 mm	84.65 mm
190FDS	89.970-89.980mm	89.85mm

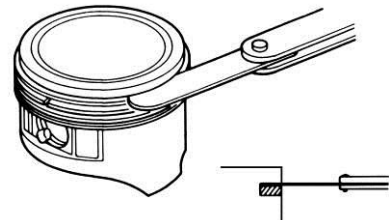


Piston- to – cylinder clearance

Standard	Service limit
0.015-0.052 mm	0.120 mm

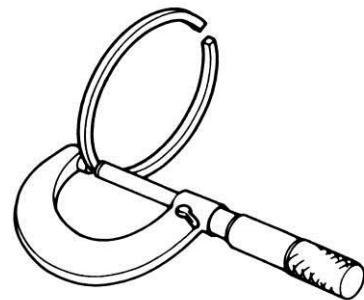
Piston ring side clearance

	Standard	Service limit
Top/Second/ Oil ring	0.015-0.045 mm	0.15 mm



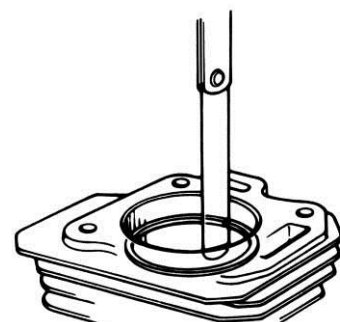
Piston ring width

	Standard	Service limit
Top/Second	1.97-1.99 mm	1.75 mm



Piston ring end gap

Model	Parts	Standard	Service limit
185FDS	Top/second	0.2-0.4 mm	1.0 mm
	Oil ring	0.2-0.7mm	1.0mm
190FDS	Top	0.2-0.35mm	1.0mm
	second	0.25-0.4mm	1.0mm
	Oil ring	0.1-0.5	1.0mm



Section 4 Disassembly and service

Before measuring end gap, use the piston top to position the ring so it will not be cocked in the cylinder bore.

Piston pin hole ID

Standard	Service limit
18.0-18.002 mm	18.042 mm

Piston pin to Piston hole gap

Standard	Service limit
0.002-0.014 mm	0.08 mm

Connecting rod small end ID

Standard	Service limit
18.002-18.008 mm	18.07 mm

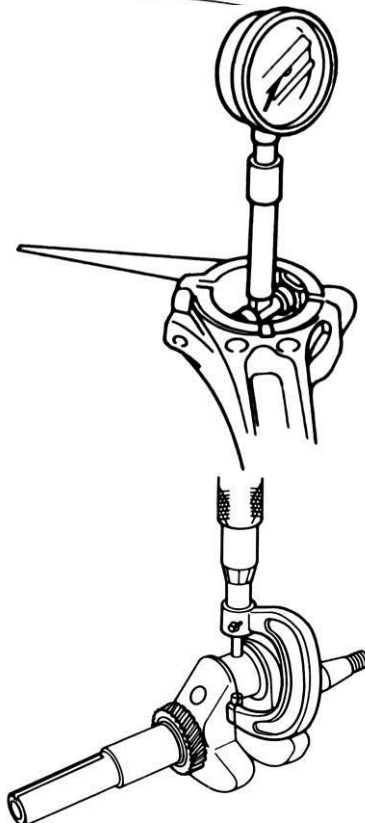
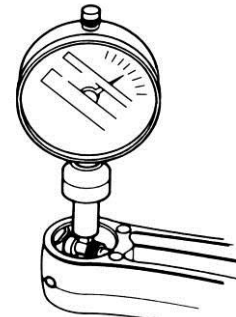
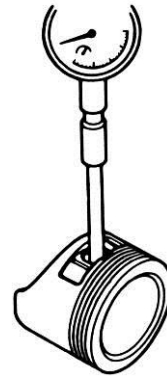
Connecting rod big end ID

Original size

Standard	Service limit
33.02-33.03mm	33.07mm

Crankshaft pin OD

Standard	Service limit
32.966-32.981 mm	32.92mm



Section 4 Disassembly and service

Connecting rod big end axial clearance

Standard	Service limit
0.10-0.70 mm	1.0 mm

Connecting rod big end oil clearance(Radial)

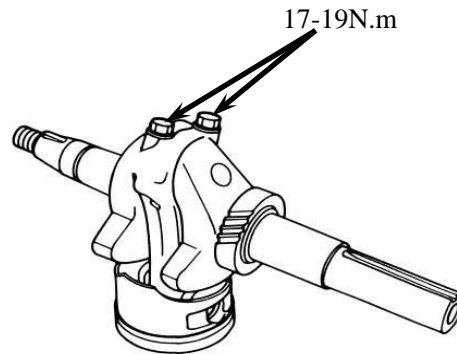
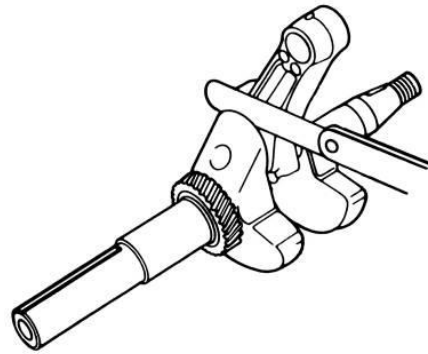
- 1) Clean all oil from the crankshaft neck journal and inside side.
- 2) Place a piece of plastic gauge on the crankshaft neck journal, assemble connecting rod, and tighten the bolts to specified torque.

Bolt torque: 17-19N·m

警告 WARNING

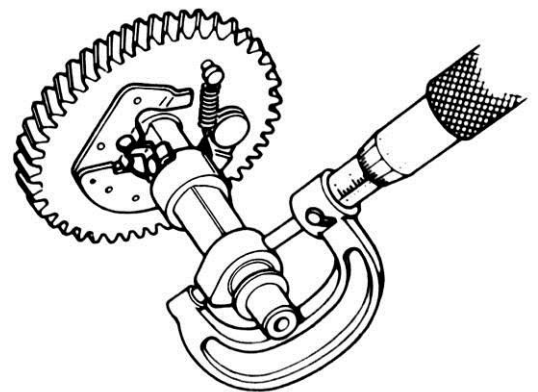
Do not rotate the crankshaft while the tightening connecting rod bolt

- 3) If the clearance exceeds the service limit, replace the connecting rod and recheck the clearance. After using new connecting rod, the clearance still exceeds the service limit, lap the neck journal and use a connecting rod lower than standard value.



crankshaft cam height

Model		Standard	Service limit
185FDS	IN	31.636-31.754	31.35
	EX	31.674 -31.834	
190FDS	IN	31.953 -32.113	31.60
	EX	31.660-31.82	31.30

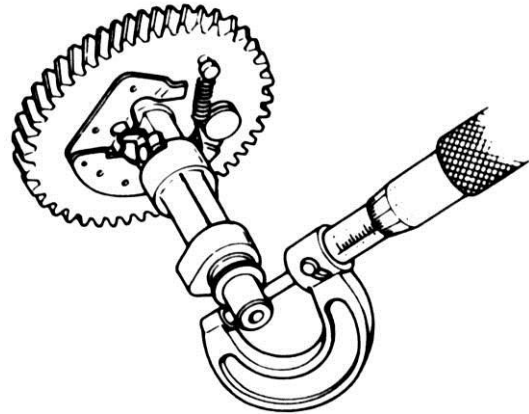


Section 4 Disassembly and service

Camshaft OD

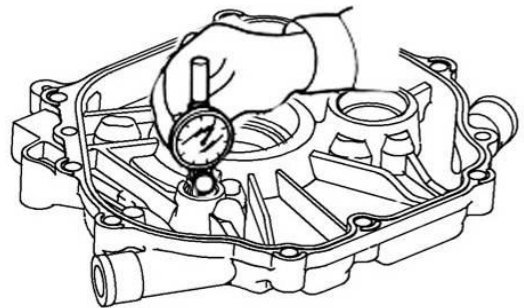
Standard	Service limit
15.966-15.984 mm	15.92 mm

Note the location of the decompressor mechanism, check to be sure it moves freely.



Camshaft axletree ID

Standard	Service limit
16.0-16.018mm	16.05 mm



4.11 Governor

Disassembly / reassembly

